



PORTFOLIO

Index

01 / Torre Seta

02 / Riviera 107

03 / Costa Smeralda

04 / Villa Udine

05 / Villa Azm Israel

06 / Billionaire Istanbul

Torre Seta

The reconstruction of the skyscraper

Ponzio's contribution has been instrumental in helping architects realize one of Milan's iconic projects.

It was on August 29, 2021, when a devastating fire irreparably damaged the Torre dei Moro, a 16-story residential building on Via Antonini in Milan. Constructed just ten years prior and home to over 80 families, the skyscraper was tragically engulfed by flames, fortunately without causing any injuries to its residents.

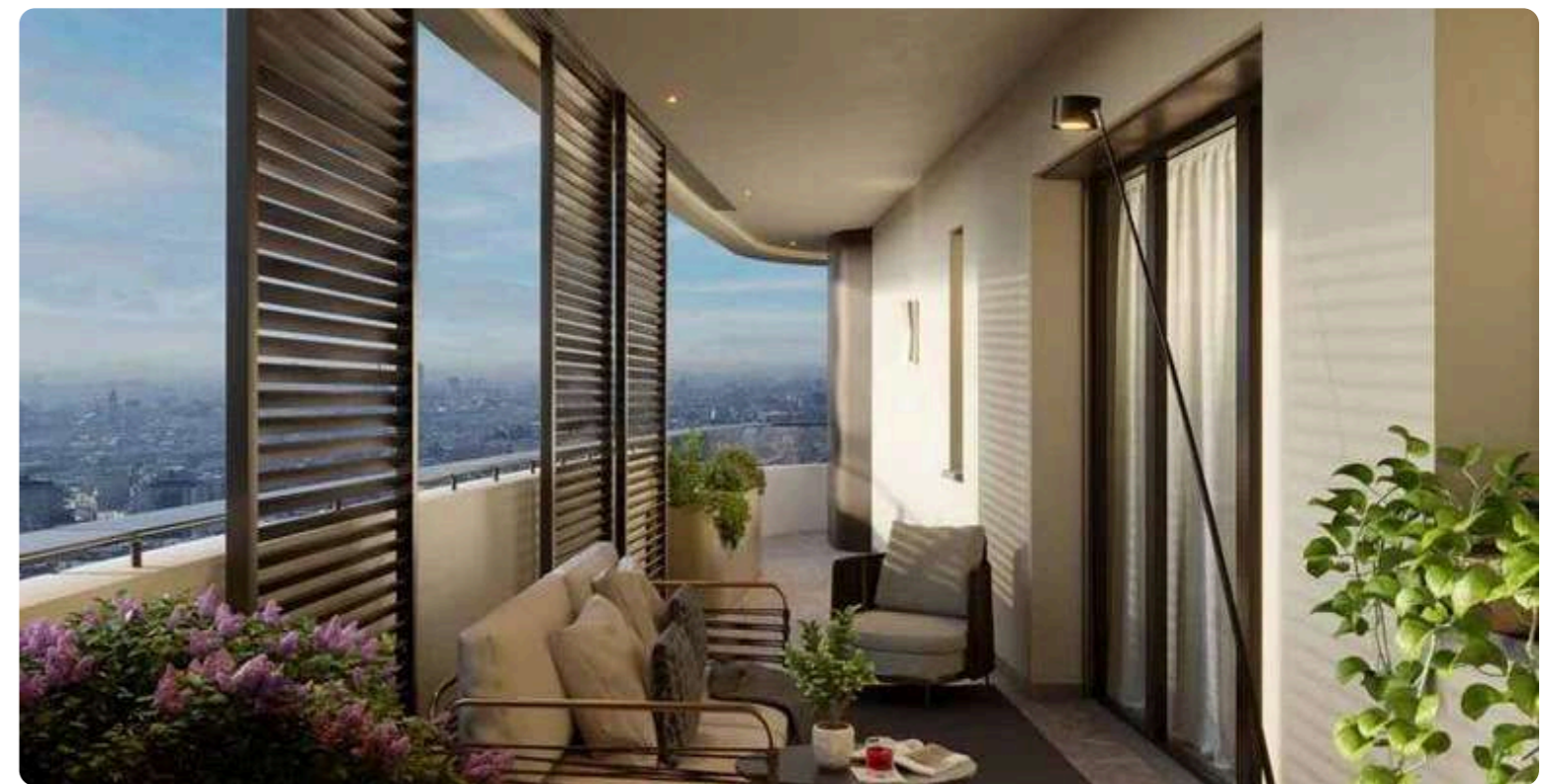
Three years later, on Friday, October 18th, a ceremony was held at the construction site on Via G. Antonini 32 to mark the commencement of reconstruction work on the new tower, aptly named Torre Seta. Designed by Studio Marco Piva, this project exemplifies the resilience of the city and the dedication of its builders

Products

SL 1600TT | Ponzio

WS 75 AS | Ponzio





SL1600TT

Raised sliding door



Sound insulation

42 dB



Resistance class

RC2/RC3/RC4



Thermal insulation

1,40 W/m²K



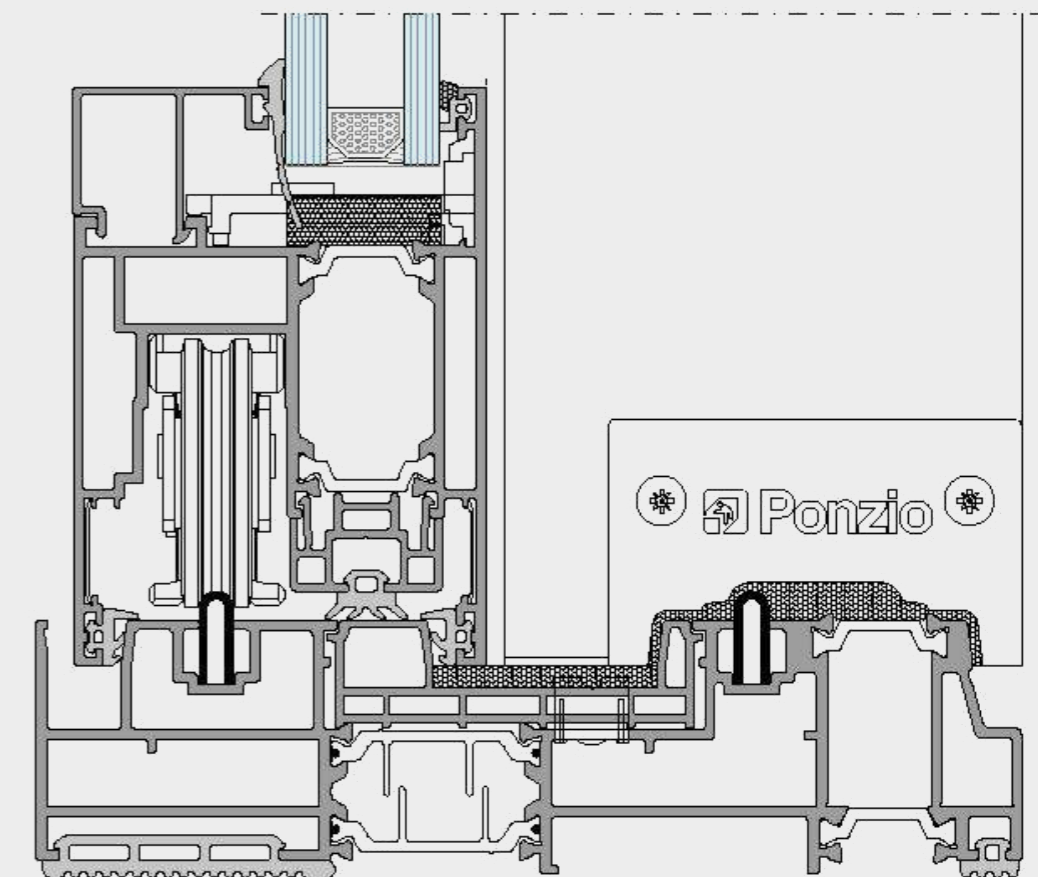
Full customisation

9 colours, 4 types



System Performance

Thermal Transmittance	Ug 0,6 warm edge	Uw 1,00 W/m ² K
Thermal Transmittance	Ug 1,0 warm edge	Uw 1,4 W/m ² K
Air Permeability	3300x2300 mm	CLASSE 4
Watertightness	3300x2300 mm	Up to E1350
Wind load resistance	3300x2300 mm	Up to C5
Soundproofing	400x2100 mm	Up to 42 dB
Burglary resistance		RC2/RC3/RC4



WS75AS

Retractable door



Sound insulation

Up to 47 dB



Resistance class

-



Thermal insulation

1,3 W/m²K



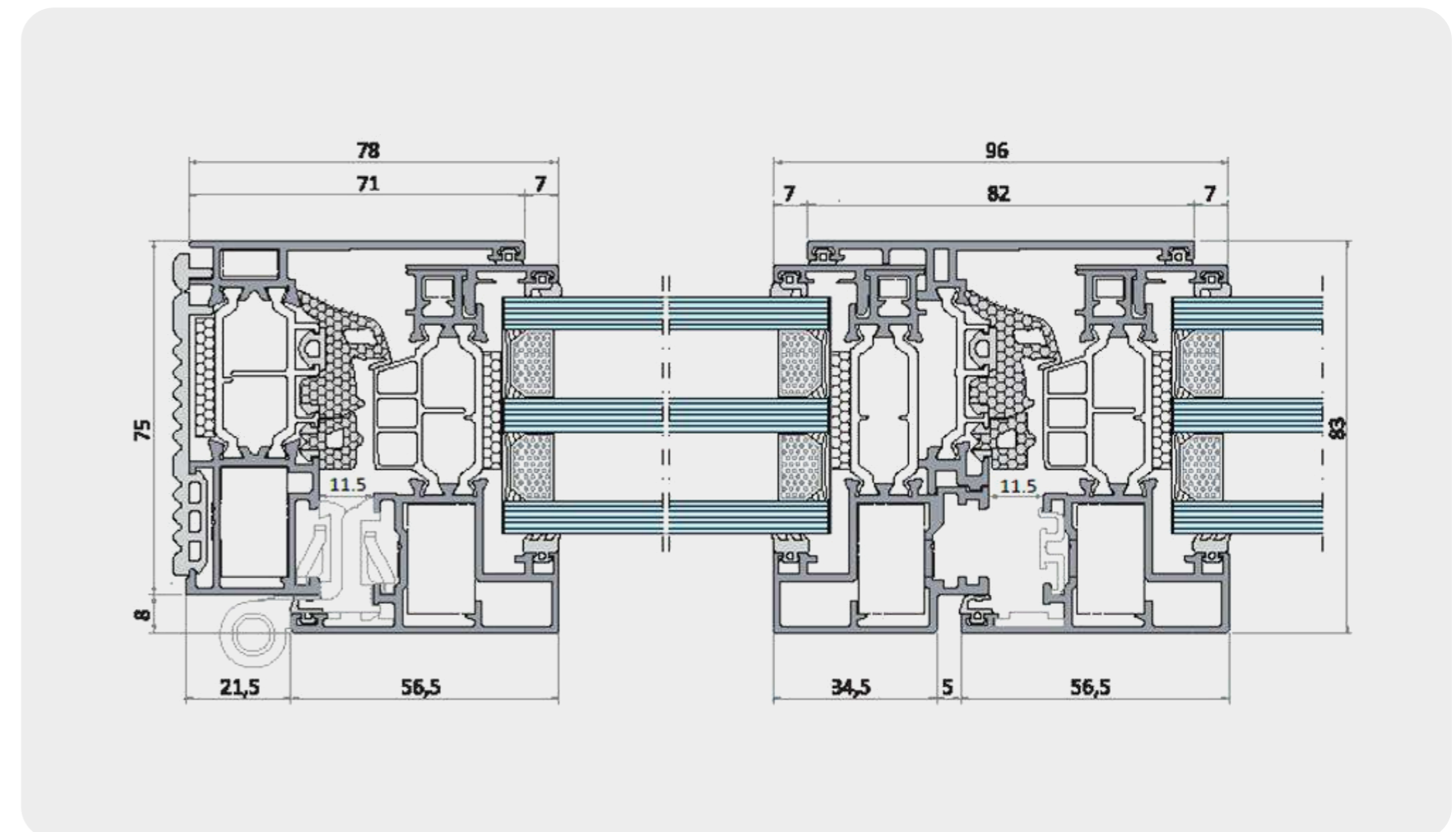
Full customisation

12 colours, 6 types



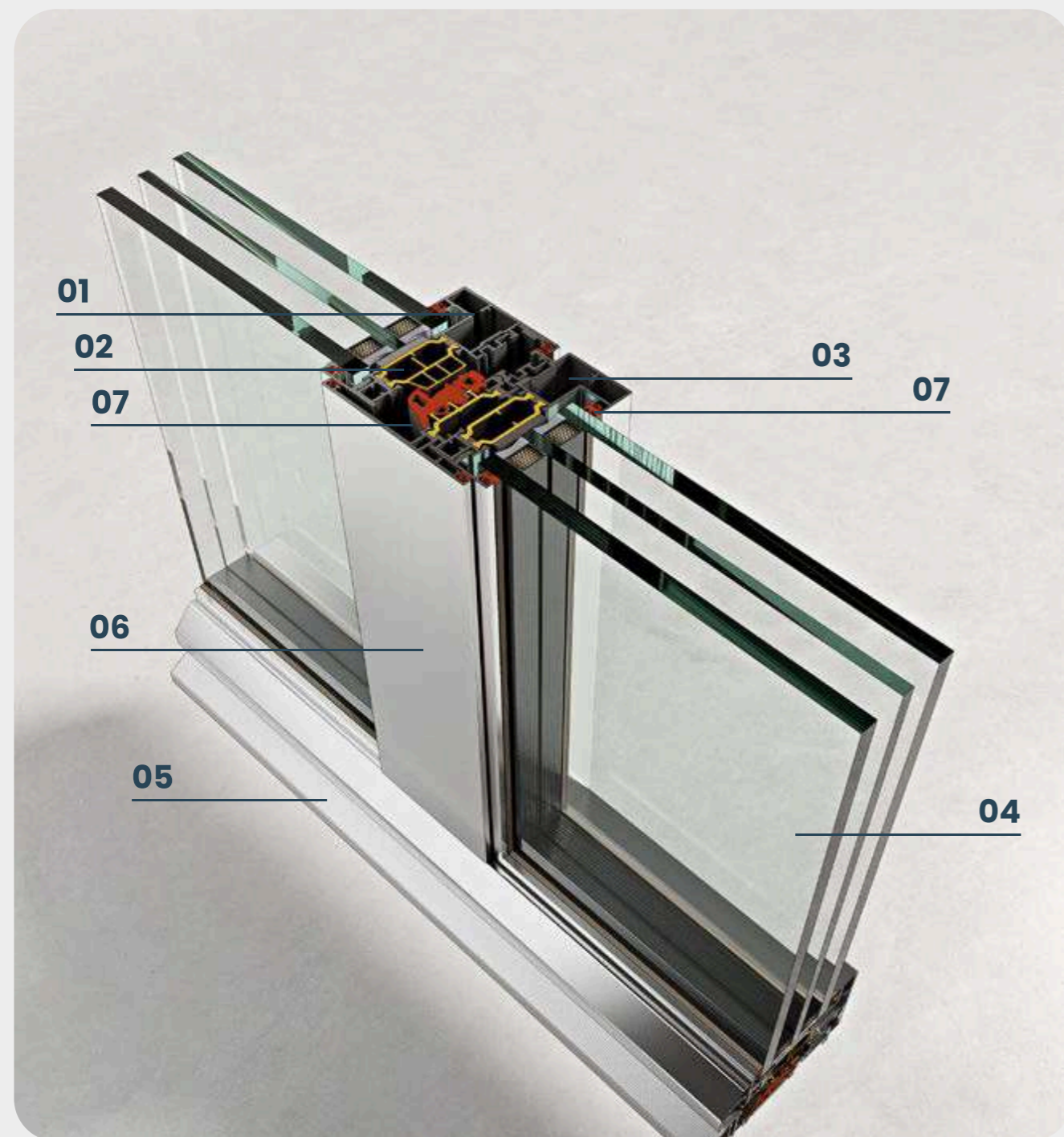
System Performance

Thermal Transmittance	Ug 0,6 warm edge	Uw 0,99 W/m ² K
Thermal Transmittance	Ug 1,0 warm edge	Uw 1,3 W/m ² K
Air Permeability	1700x2300 mm, 2 wings	CLASSE 4
Watertightness	1700x2300 mm, 2 wings	E1200
Wind load resistance	1700x2300 mm, 2 wings	C3
Soundproofing	400x2100 mm	Up to 47 dB



Hidden sash – External view

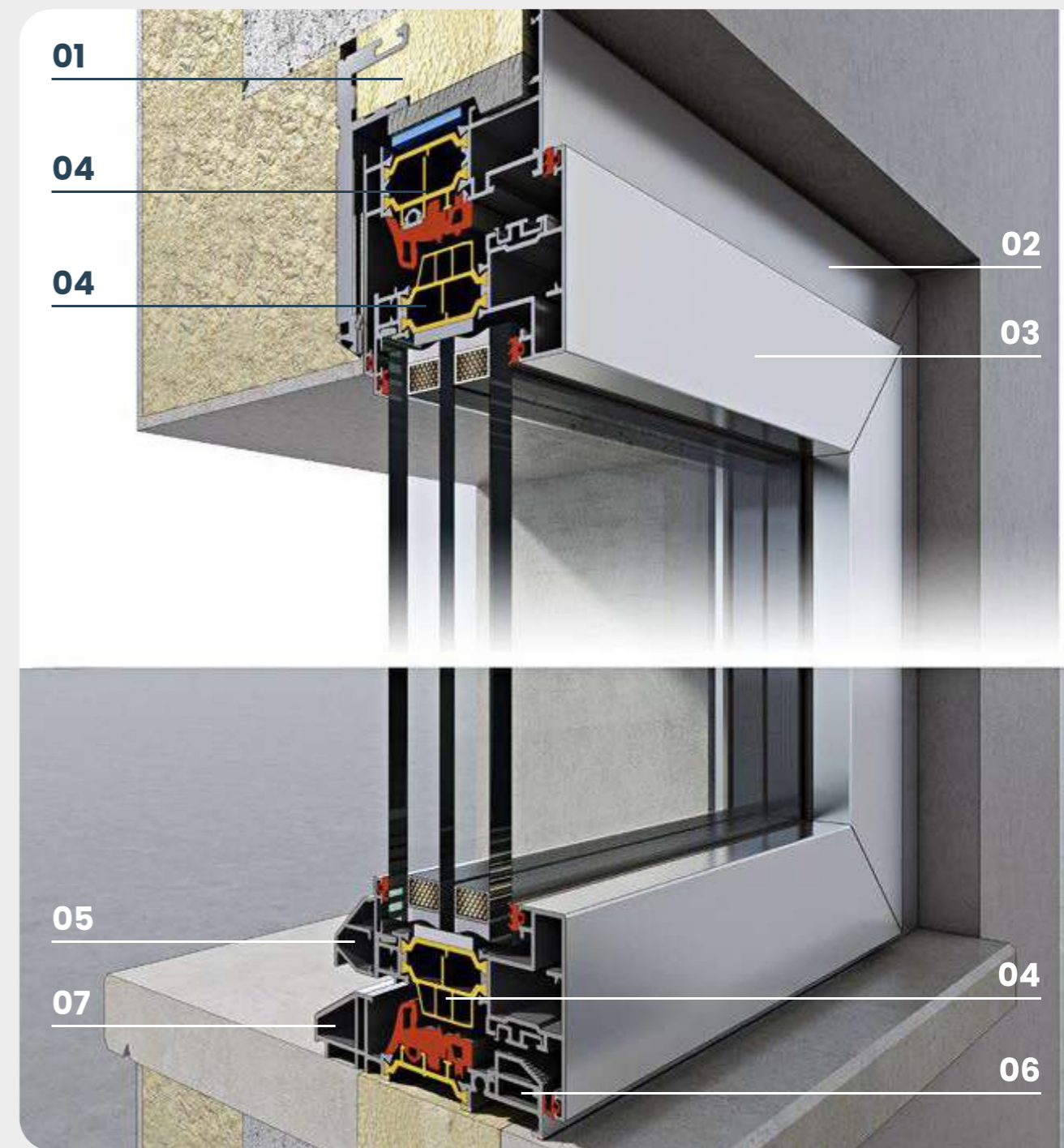
Central section with triple glazing



- 01** Hidden sash
- 02** Thermal break
- 03** Hidden central sash
- 04** Triple glazing
- 05** Lowered threshold
- 06** Central carry-over
- 07** Gaskets

Hidden sash – Internal view

Side and bottom section



- 01** Counterframe
- 02** AS frame
- 03** Hidden sash
- 04** Thermal break
- 05** Hole
- 06** Lowered threshold
- 07** External invitation

Riviera 107

A Contemporary Urban "Trabocco"

Riviera 107, the residential building designed by Giovanni Vaccarini along Pescara's seafront, is a sort of "urban trabocco," extending towards the sea like the traditional wooden fishing structures that dot the Abruzzo coastline. The building features a jagged façade, with varying setbacks and overhangs that create a dynamic system of cantilevered terraces.

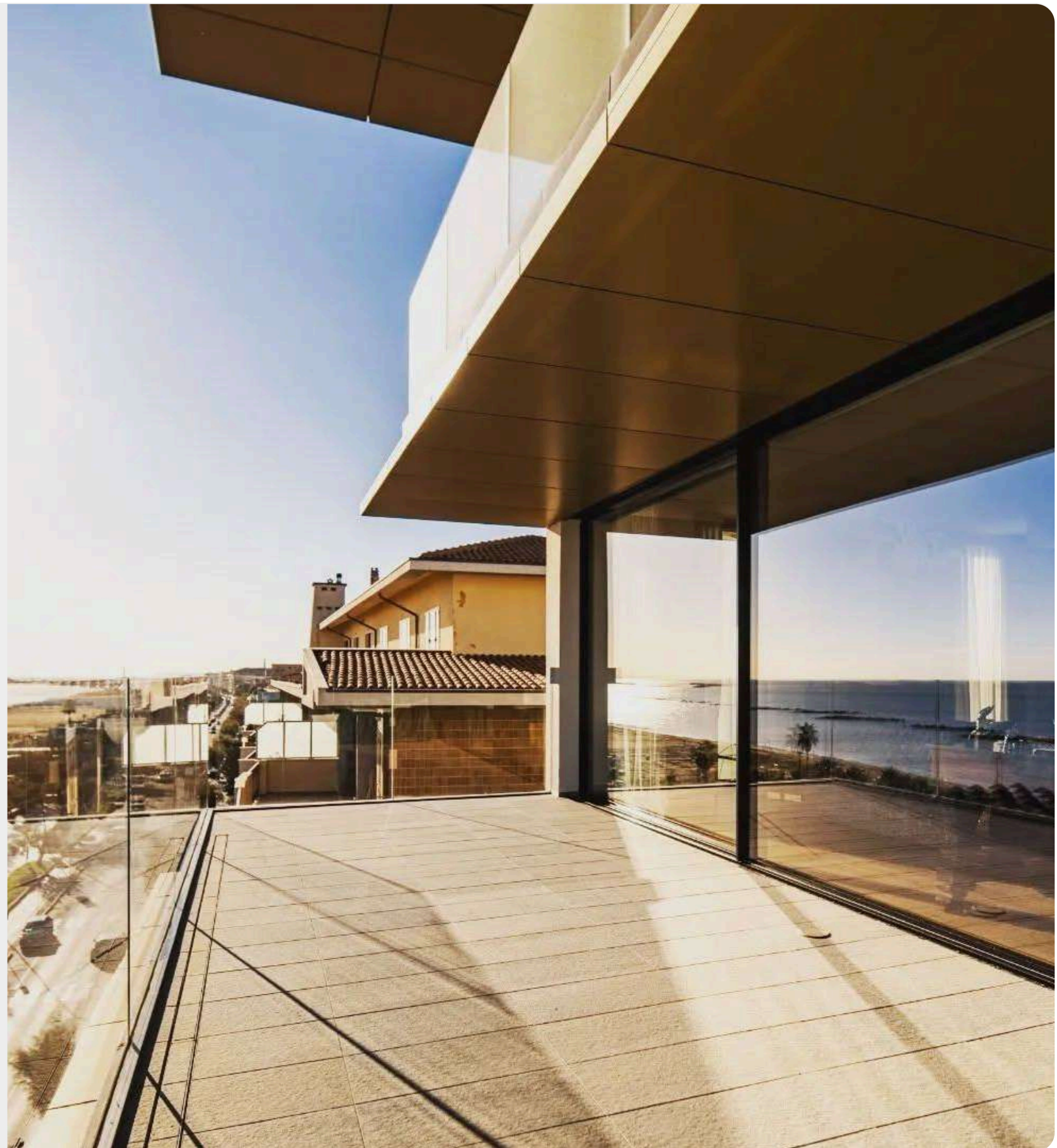
The east-facing façade, entirely glazed, is conceived as an open section that visually connects the interior spaces with the Adriatic coastline. This design approach stems from Vaccarini's extensive research on the depth of surfaces and serves as the key to enhancing the traditional Adriatic-style apartment building.

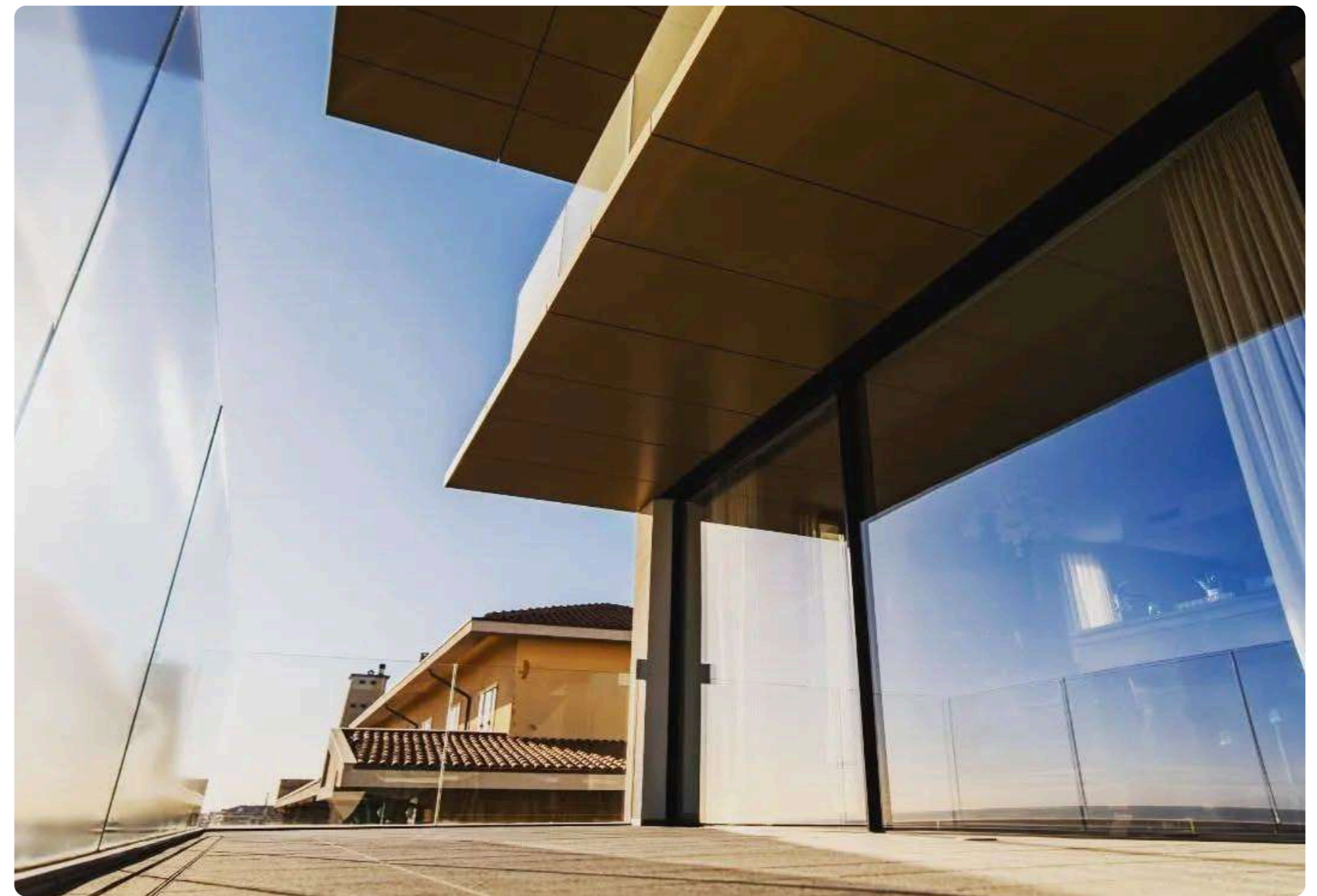
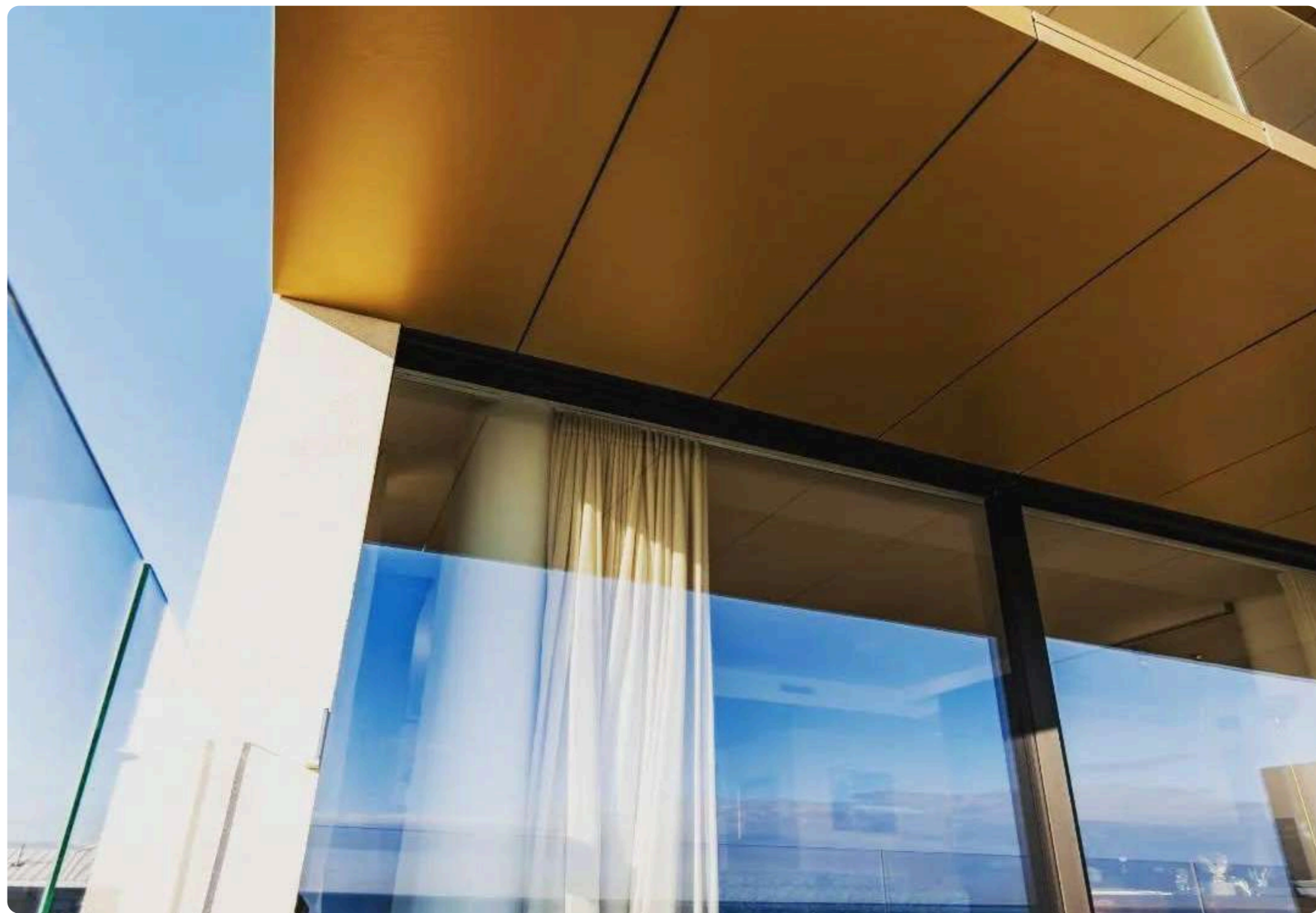
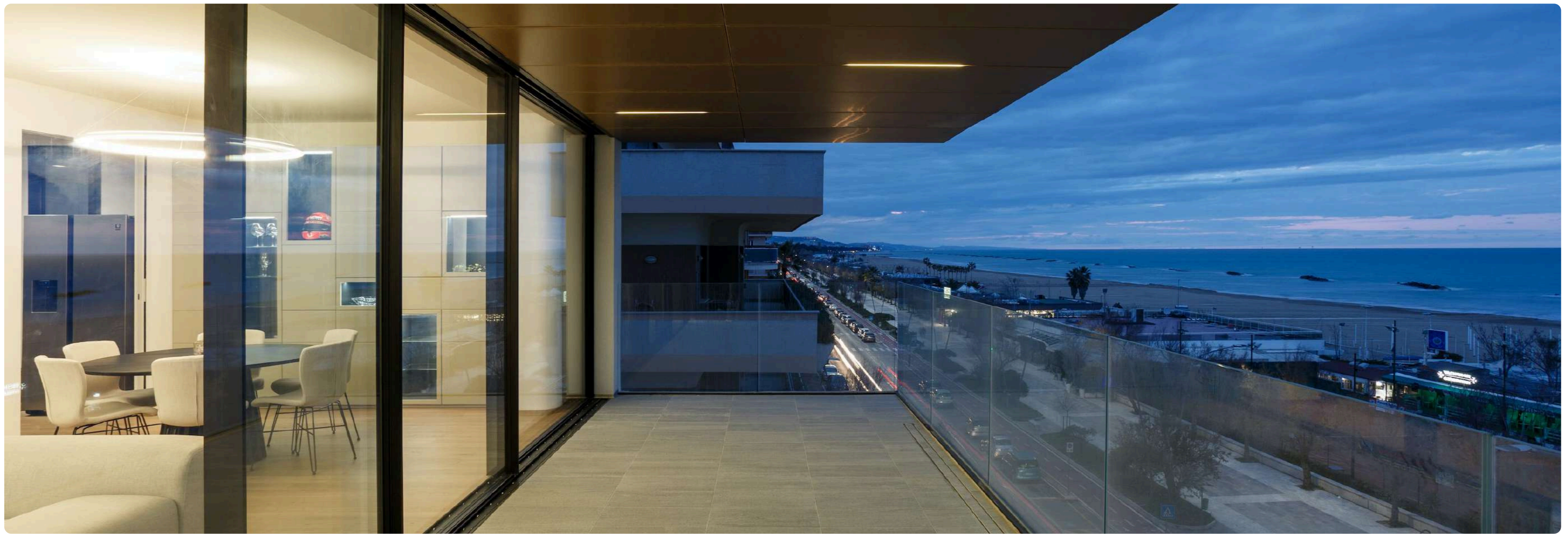
By reinterpreting the relationship between interiors, the surrounding landscape, and public spaces, the architect has created a structure that seamlessly integrates contemporary design with its coastal environment.

Products

Minimale Apexfine ++ | Ponzio

P100 LX | Ponzio





Minimale Apexfine ++

Sliding window with invisible profiles



Sound insulation

?



Resistance class

?



Thermal insulation

1,79 W/m²K



Full customisation

7 finishes, 12 types



System Performance

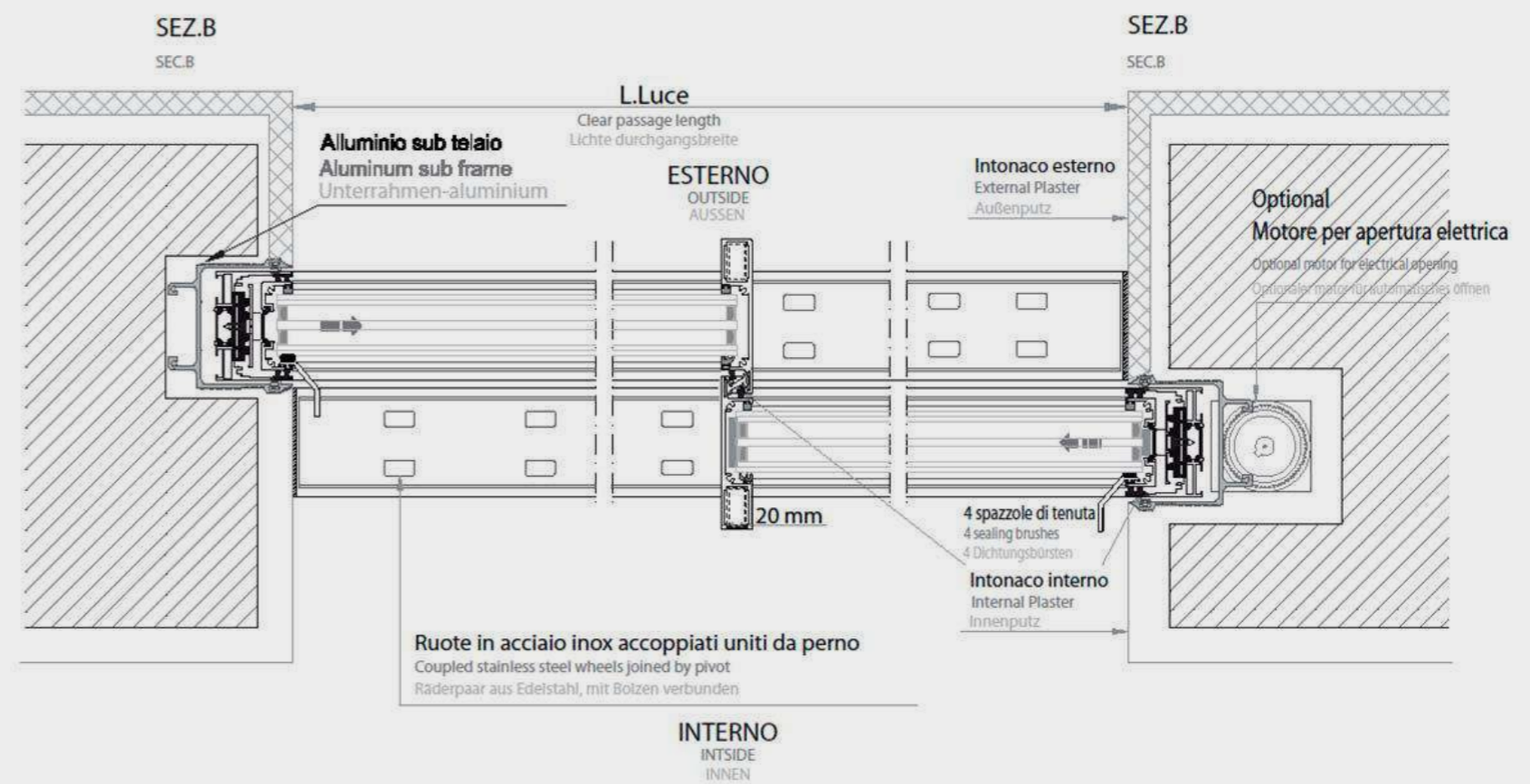
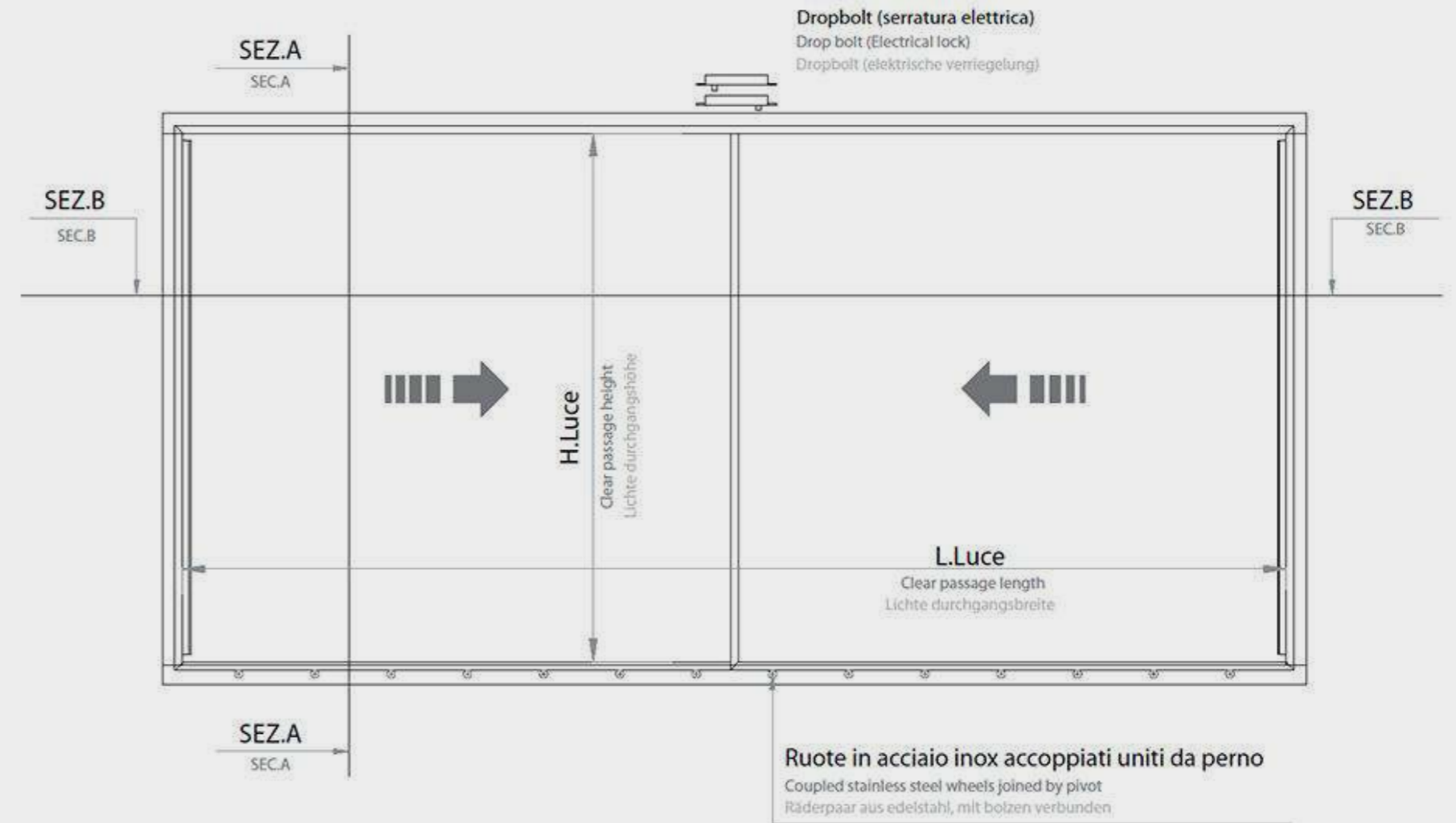
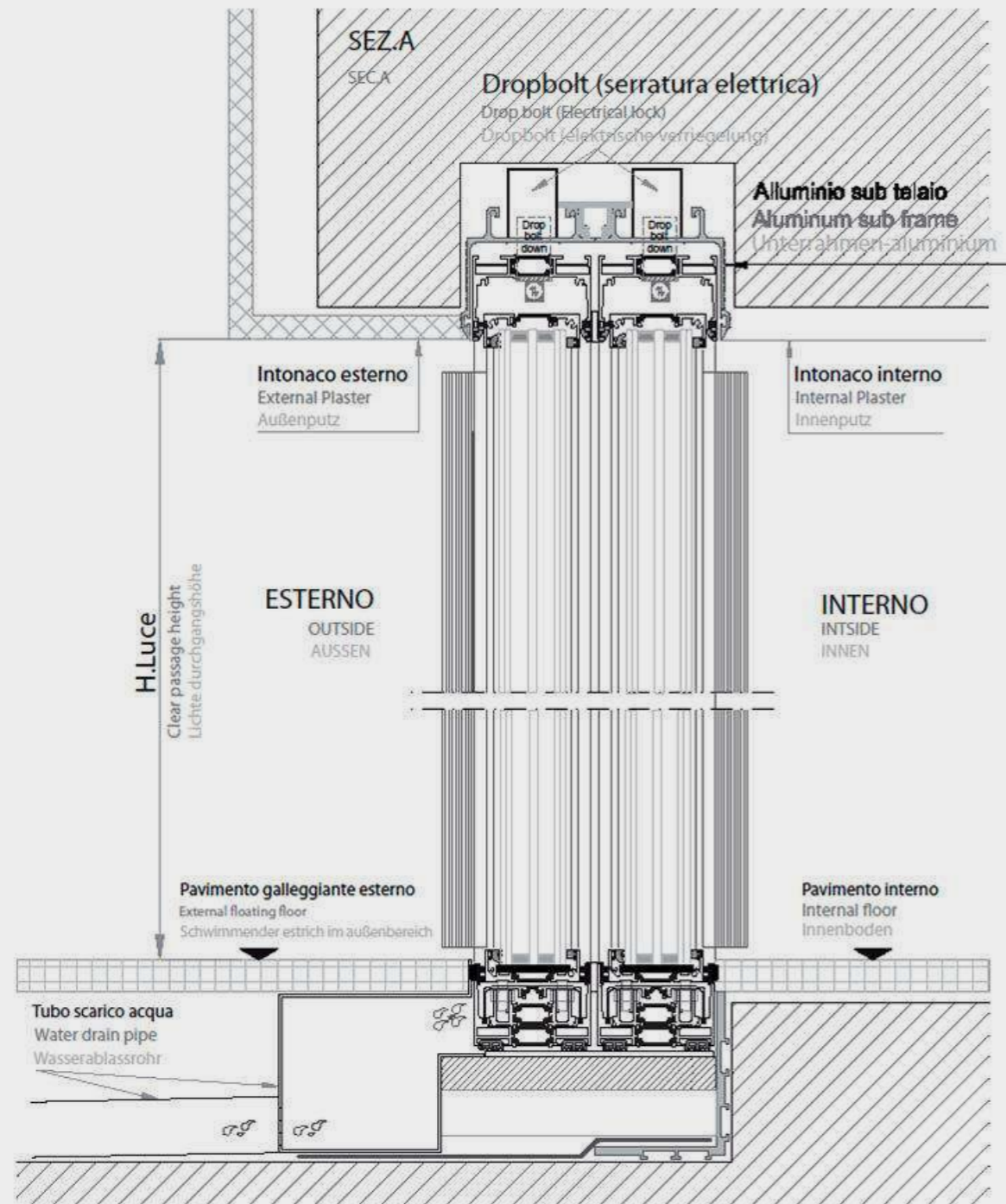
Thermal Transmittance*	with glass Ug = 0,6 Plastic Spacer	UW = 0,79 W/m ² K
Air Permeability	dim. L 4100 x H3900 mm a 2 doors	CLASSE 4
Watertightness	dim. L 4100 x H3900 mm a 2 doors	E750
Wind load resistance	dim. L 4100 x H3900 mm a 2 doors	B1

*Calculated on a frame size L 3000 x H2700 mm a 2 doors

System Specifications

Sash weight	450 Kg
Closures	Electric with Drop Bolts (magnetic bolts) Manual
Movements	Manual or automated with computerised movement and locking management

Technical Drawing



P100 LX

Always safe, always special.



Sound insulation

Up to 36 dB



Resistance class

RC2 / RC3/ RC4



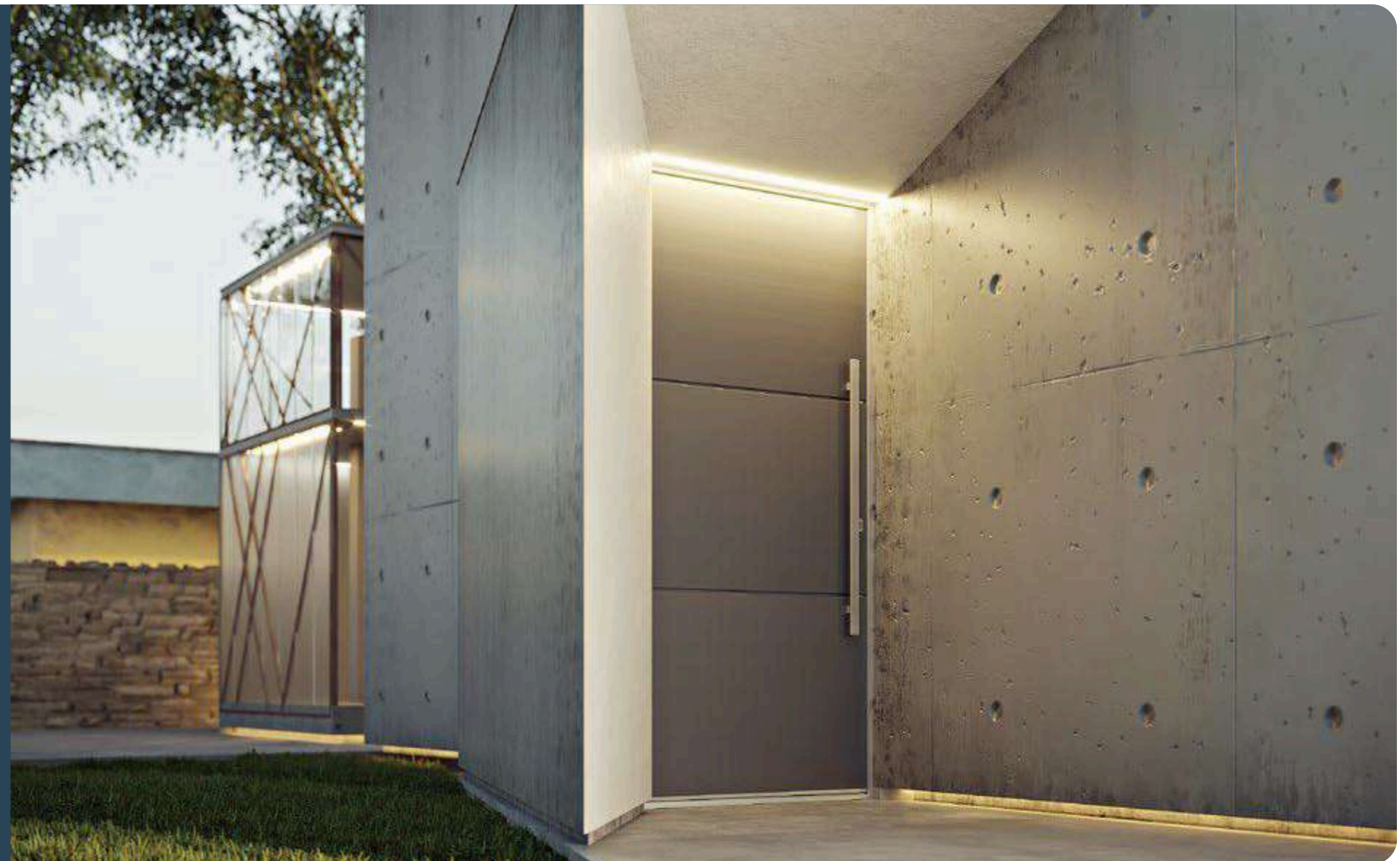
Thermal insulation

Up to 0,49 W/m2K



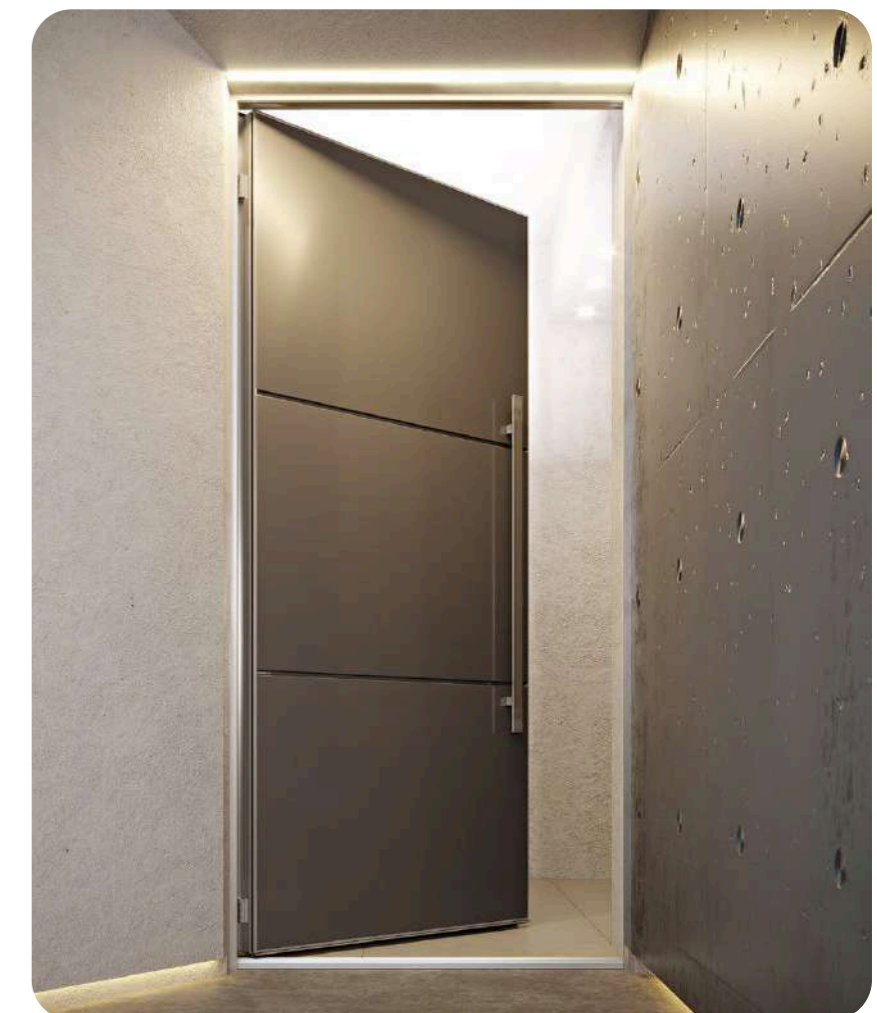
Full customisation

More than 50 colours



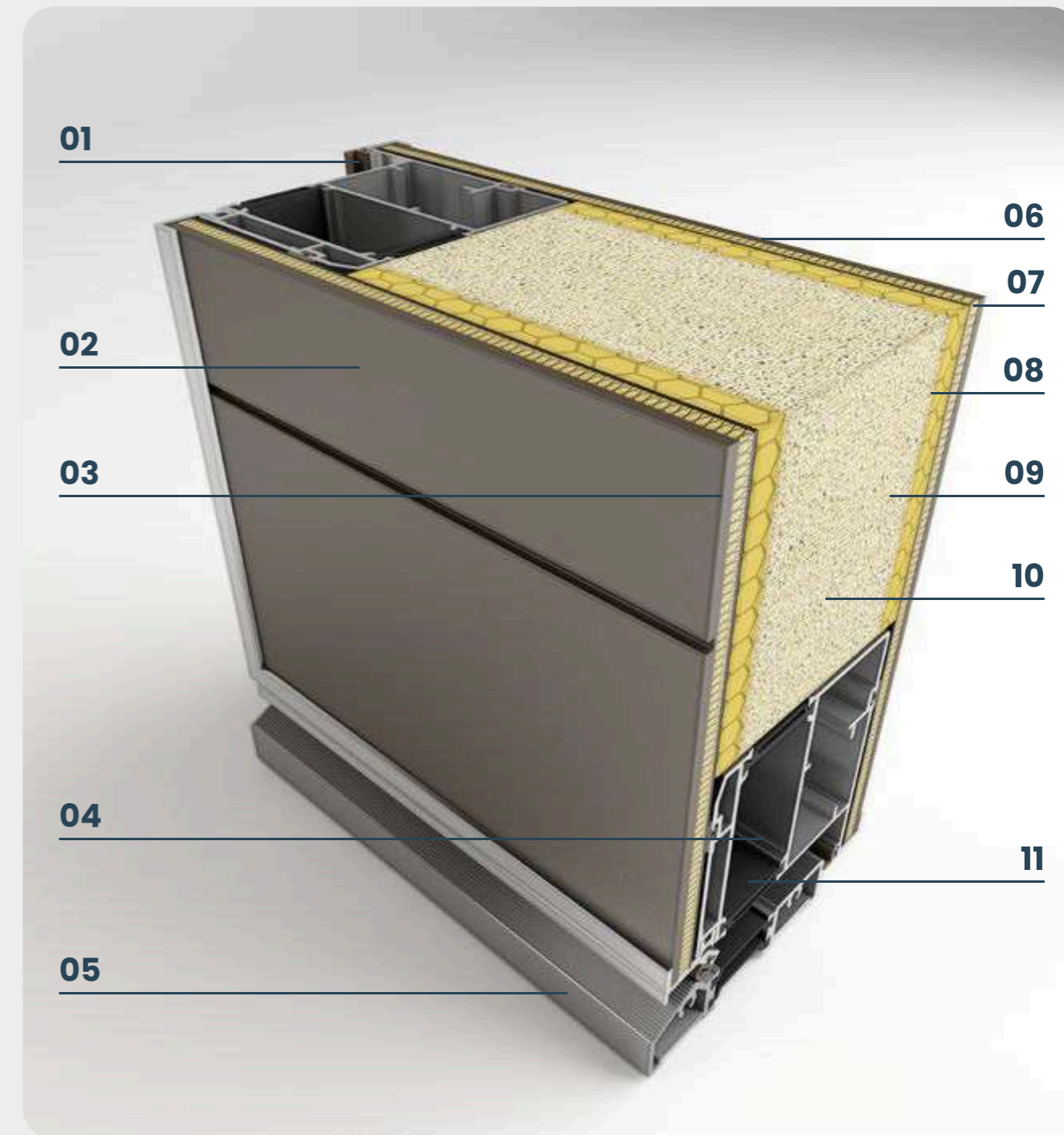
System Performance

Thermal Transmittance*	1 wing	Up to 0,49 W/m2K
Air Permeability	dim. 1700x2300 mm	CLASSE 4
Watertightness	dim. 1700x2300 mm	5A
Wind load resistance	dim. 1700x2300 mm	C4
Soundproofing	dim. 1230x2180 mm	Up to 36 dB
Burglary resistance	1 Wing	RC2 / RC3/ RC4



Threshold Aluminium Thermal

- 01** Gasket
- 02** External milled aluminium plate 1,2 mm
- 03** Infill THS + Counterbalancing plate
- 04** Sash LX
- 05** Aluminium thermal threshold
- 06** Internal aluminium plate 1,2 mm
- 07** Infill THS + Counterbalancing plate
- 08** Flexible membrane
- 09** Insulating in polyurethane
- 10** Stabilizing aluminium plate 1 mm
- 11** Insulating polyamide



Costa Smeralda

Where Tradition Meets Modernity

Perched on a promontory with sweeping sea views, this villa is a multi-level marvel. Nestled within a private estate spanning several hectares, the property boasts a botanical garden and a network of winding paths surrounded by aromatic plants and rugged rocks, creating an idyllic natural retreat.

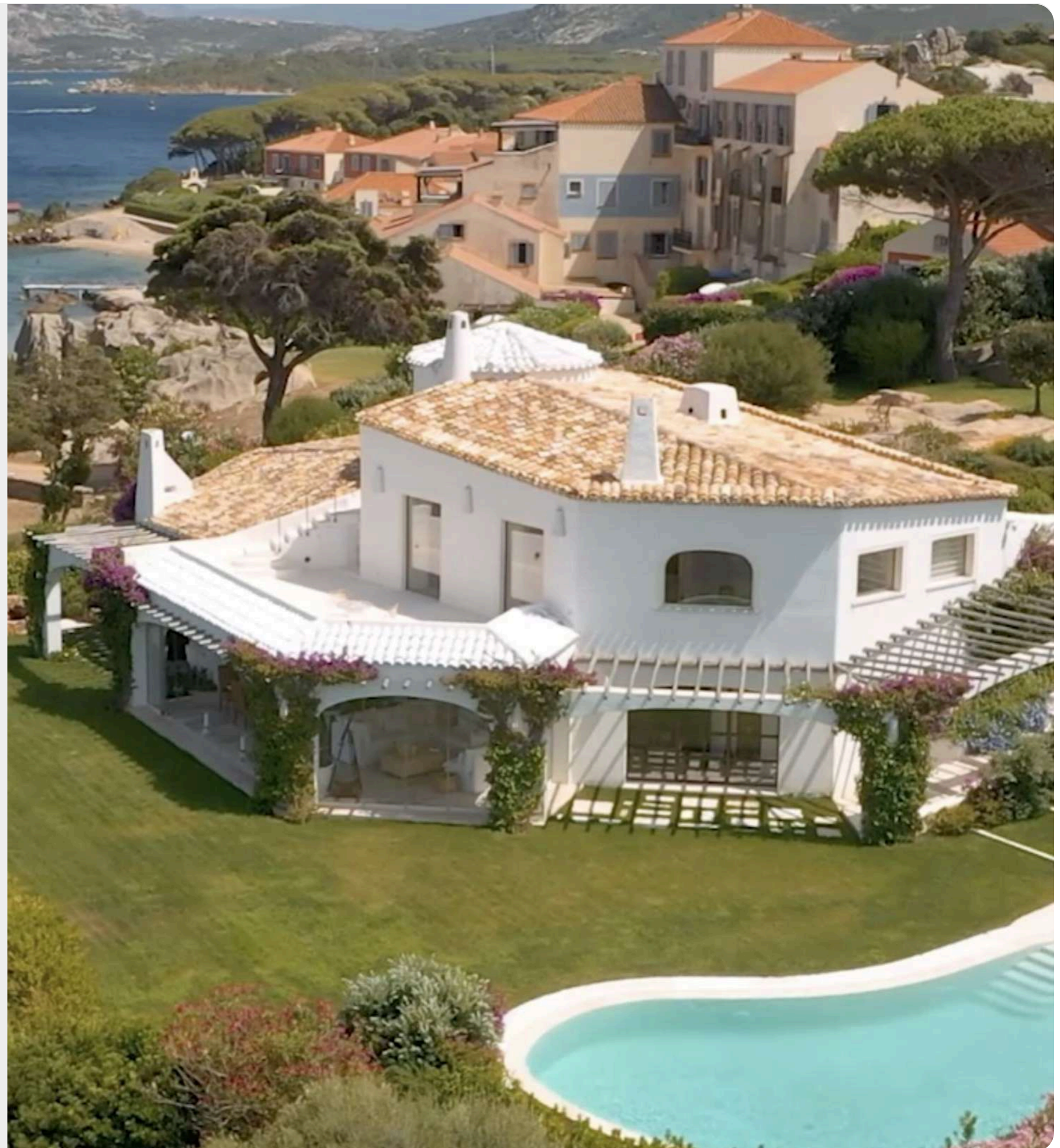
The design seamlessly blends Sardinian traditional techniques—such as raw exposed stone and granite flooring—with elements of modern and contemporary architecture. This combination enhances the villa's striking visual appeal.

A key feature of the design is its irregularly shaped windows, thoughtfully positioned to frame specific views of the sea and garden. These unique apertures create ever-changing perspectives, offering a fresh and dynamic connection to the surrounding environment.

Products

Minimale Apexfine | Ponzio

WS 75 AD | Ponzio





Minimale Apexfine

Sliding window with invisible profiles



Sound insulation

?



Resistance class

?



Thermal insulation

1,79 W/m²K



Full customisation

7 finishes, 12 types



System Performance

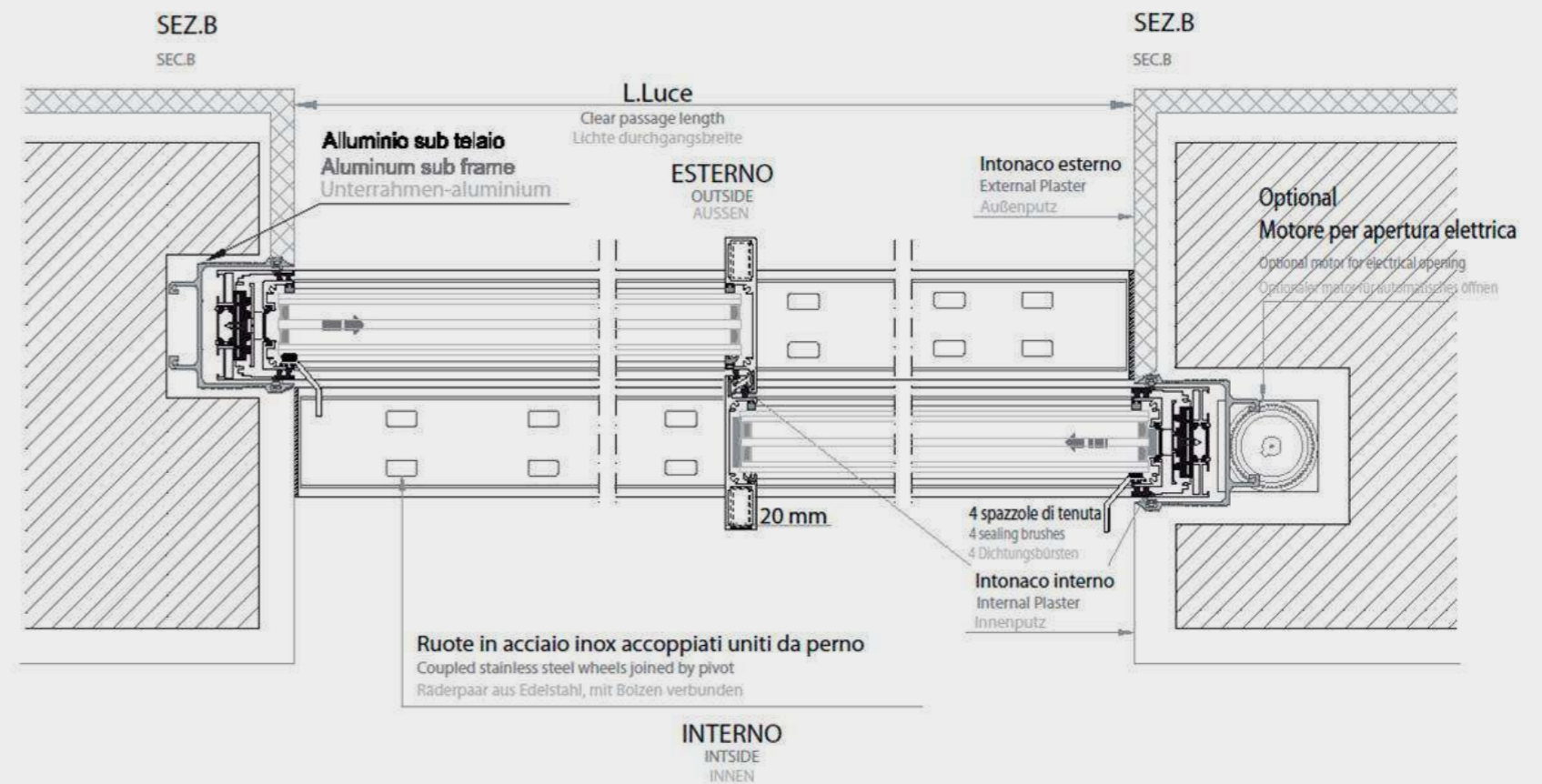
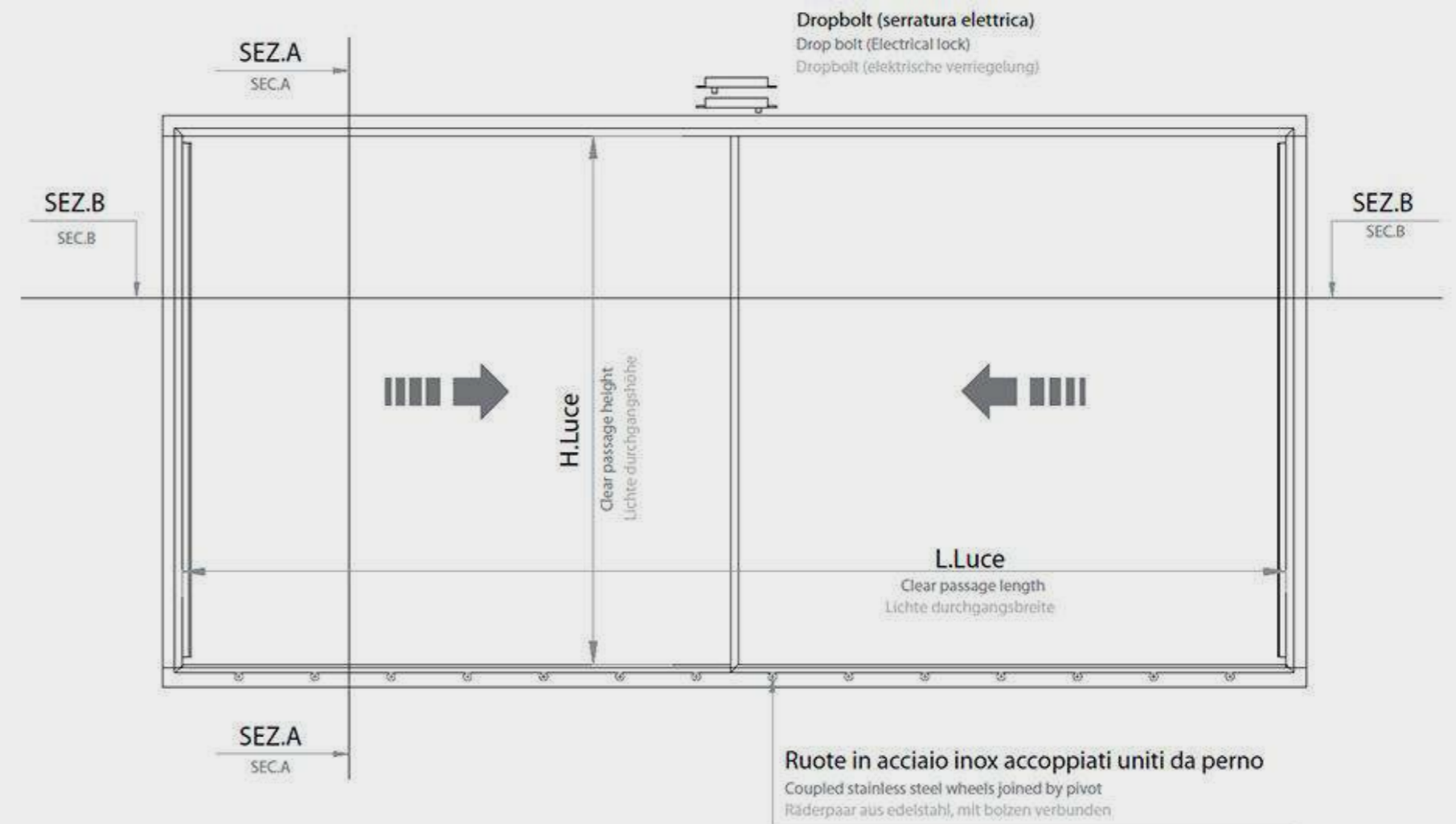
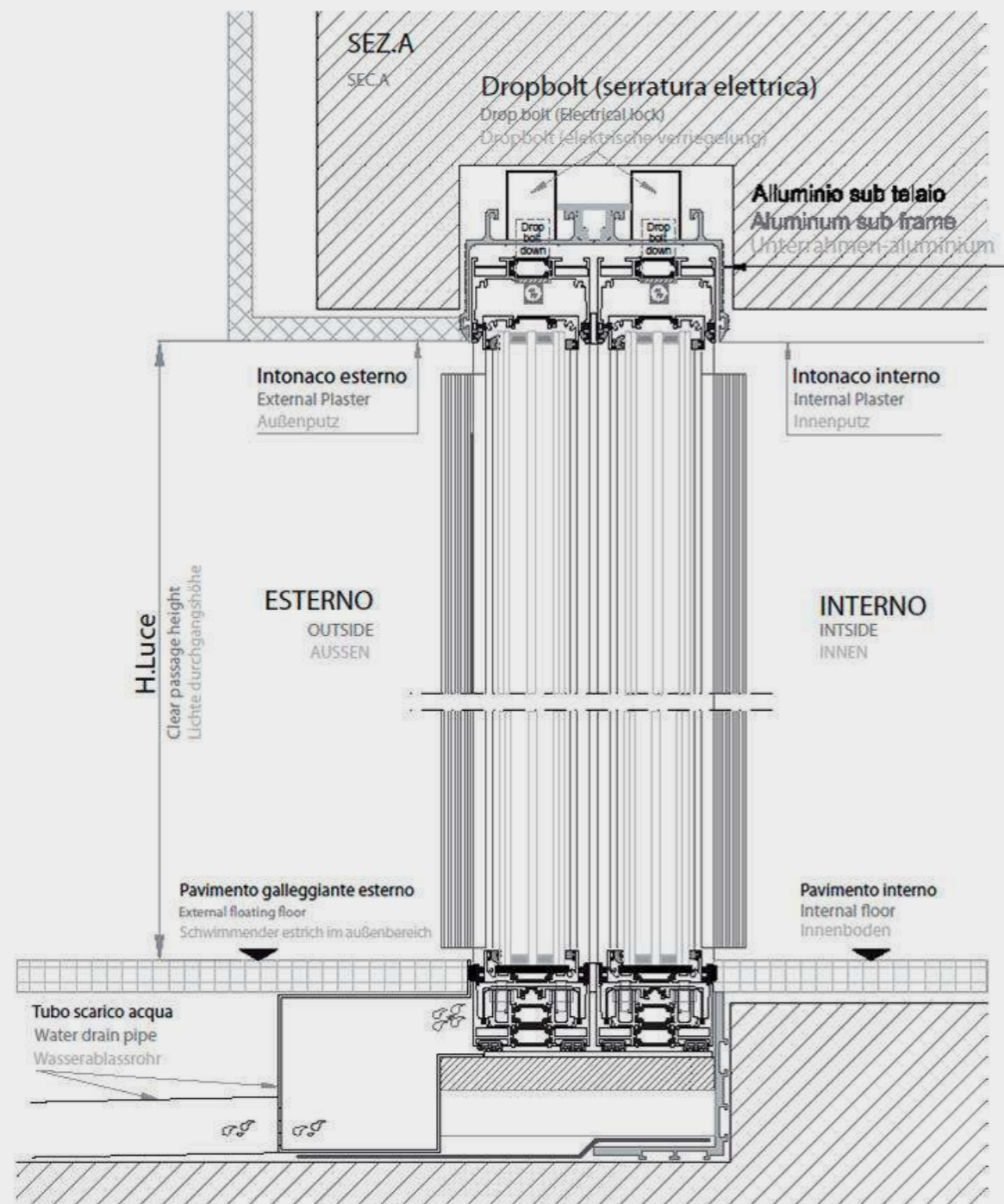
Thermal Transmittance*	with glass Ug = 0,6 Plastic Spacer	Uw = 1,48 W/m ² K
Air Permeability	dim. L 4100 x H3900 mm a 2 doors	CLASSE 4
Watertightness	dim. L 4100 x H3900 mm a 2 doors	E750
Wind load resistance	dim. L 4100 x H3900 mm a 2 doors	B1

*Calculated on a frame size L 3000 x H2700 mm a 2 doors

System Specifications

Sash weight	450 Kg
Closures	Electric with Drop Bolts (magnetic bolts) Manual
Movements	Manual or automated with computerised movement and locking management

Technical Drawing



WS75AD

Aluminium Design



Sound insulation

Up to 48 dB



Resistance class

?



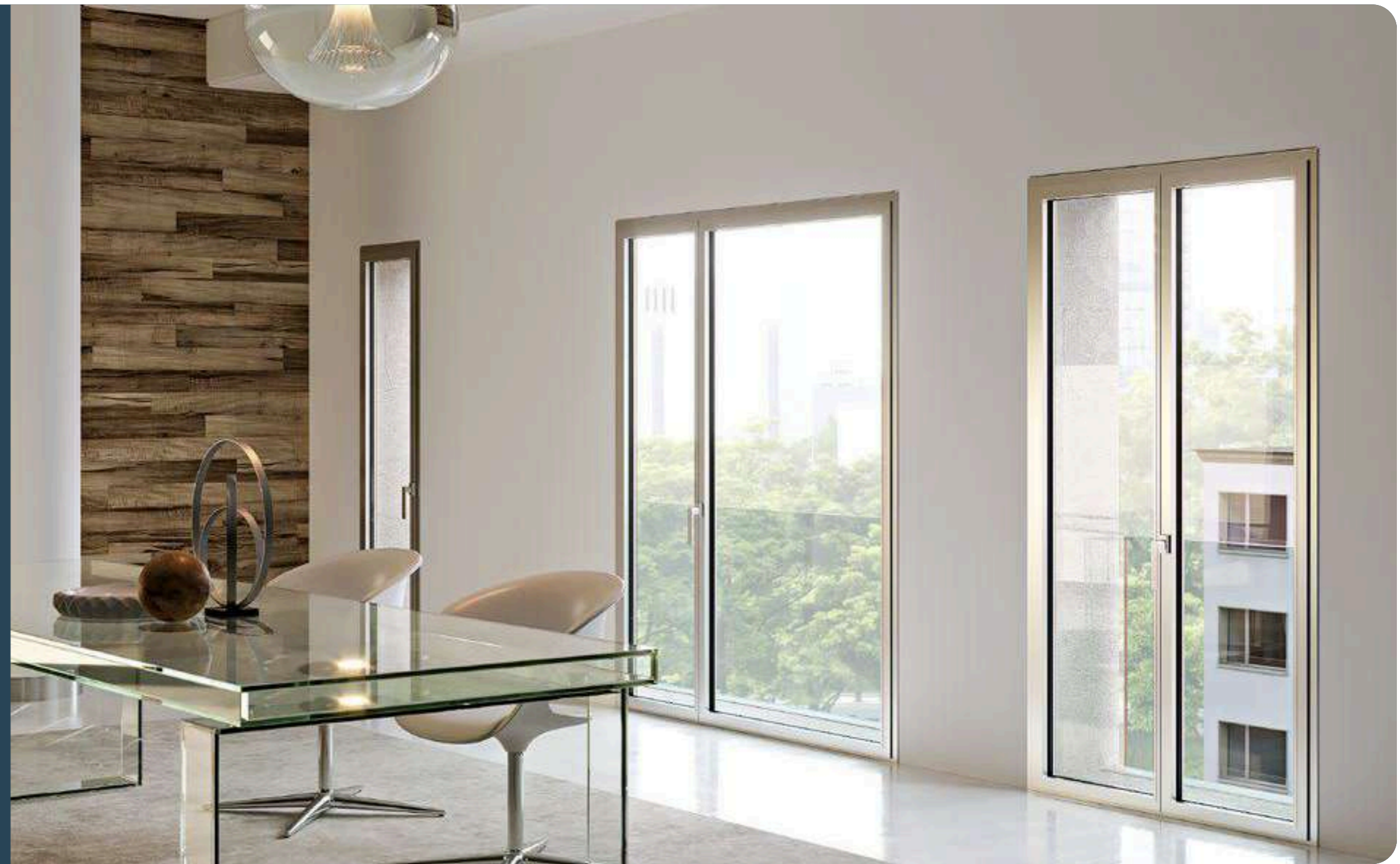
Thermal insulation

Up to 1,3 W/m²K



Full customisation

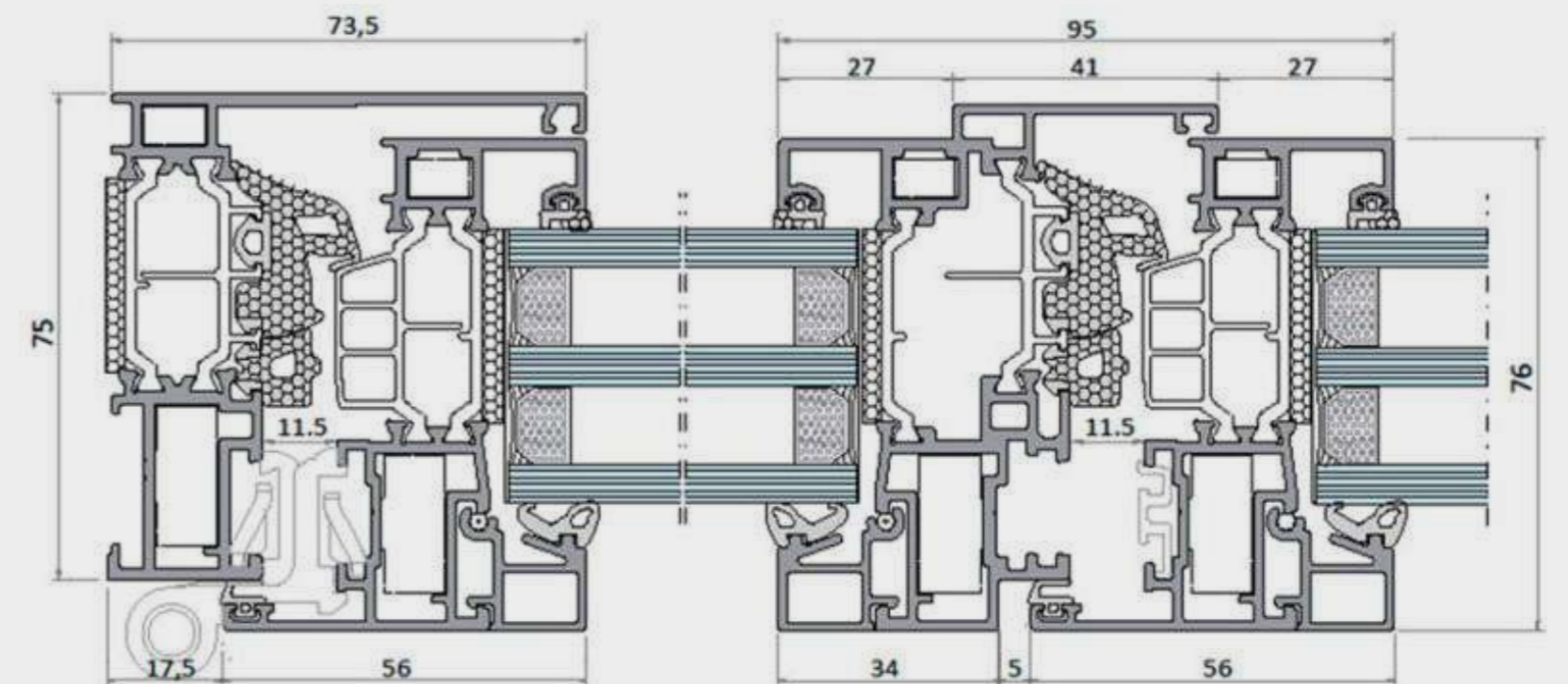
11 colours, 6 types



System Performance

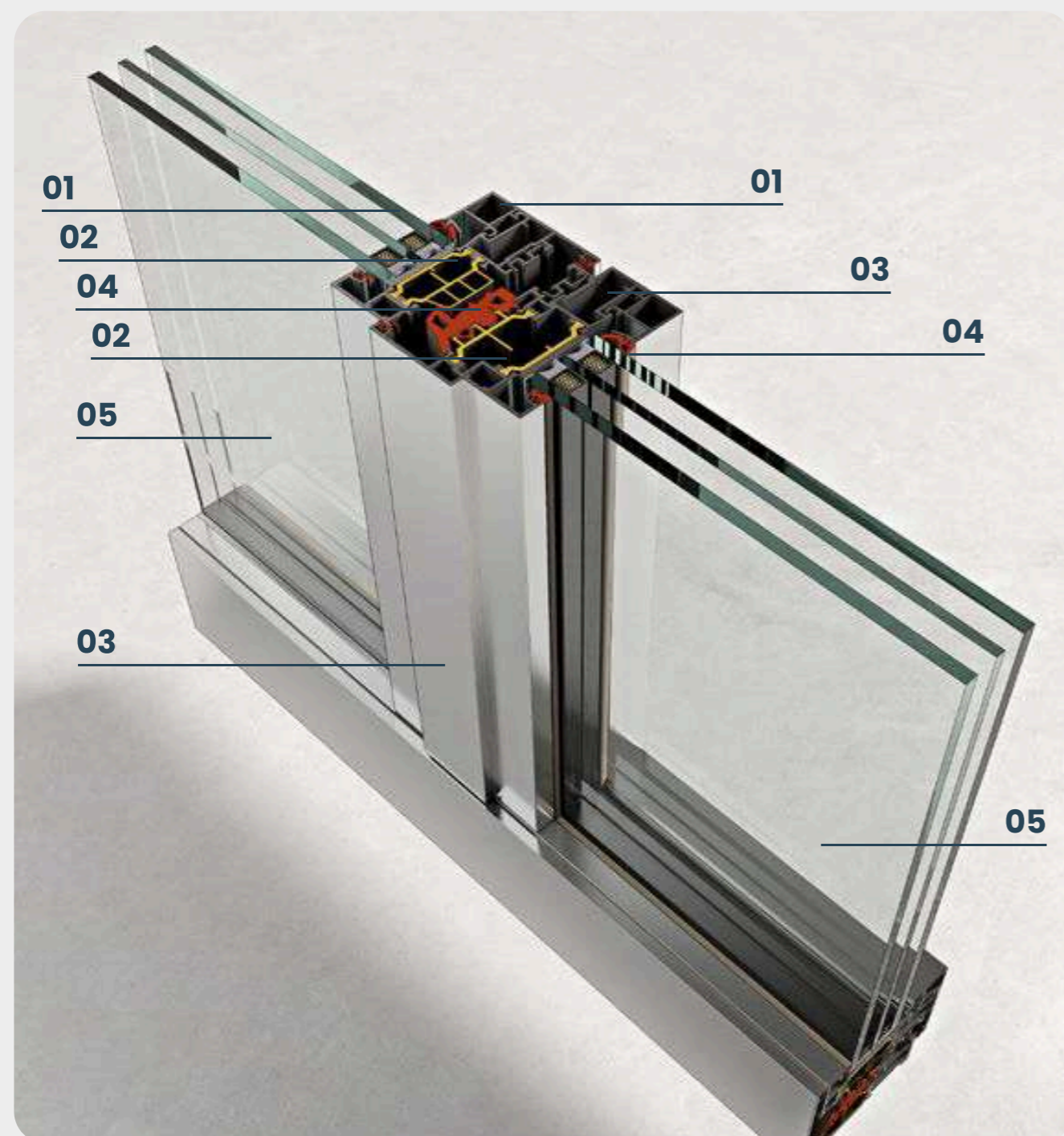
Thermal Transmittance*	Ug 0,6 warm edge	Uw 1,0 W/m ² K
Thermal Transmittance*	Ug 1,0 warm edge	Uw 1,3 W/m ² K
Air Permeability	dim. 1700x2300 mm - 2 wings	CLASSE 4
Watertightness	dim. 1700x2300 mm - 2 wings	E1050
Wind load resistance	dim. 1700x2300 mm - 2 wings	C3
Soundproofing		Up to 46 dB

*Calculated on a frame size 1230 x 1480 mm a 2 doors



Window - External

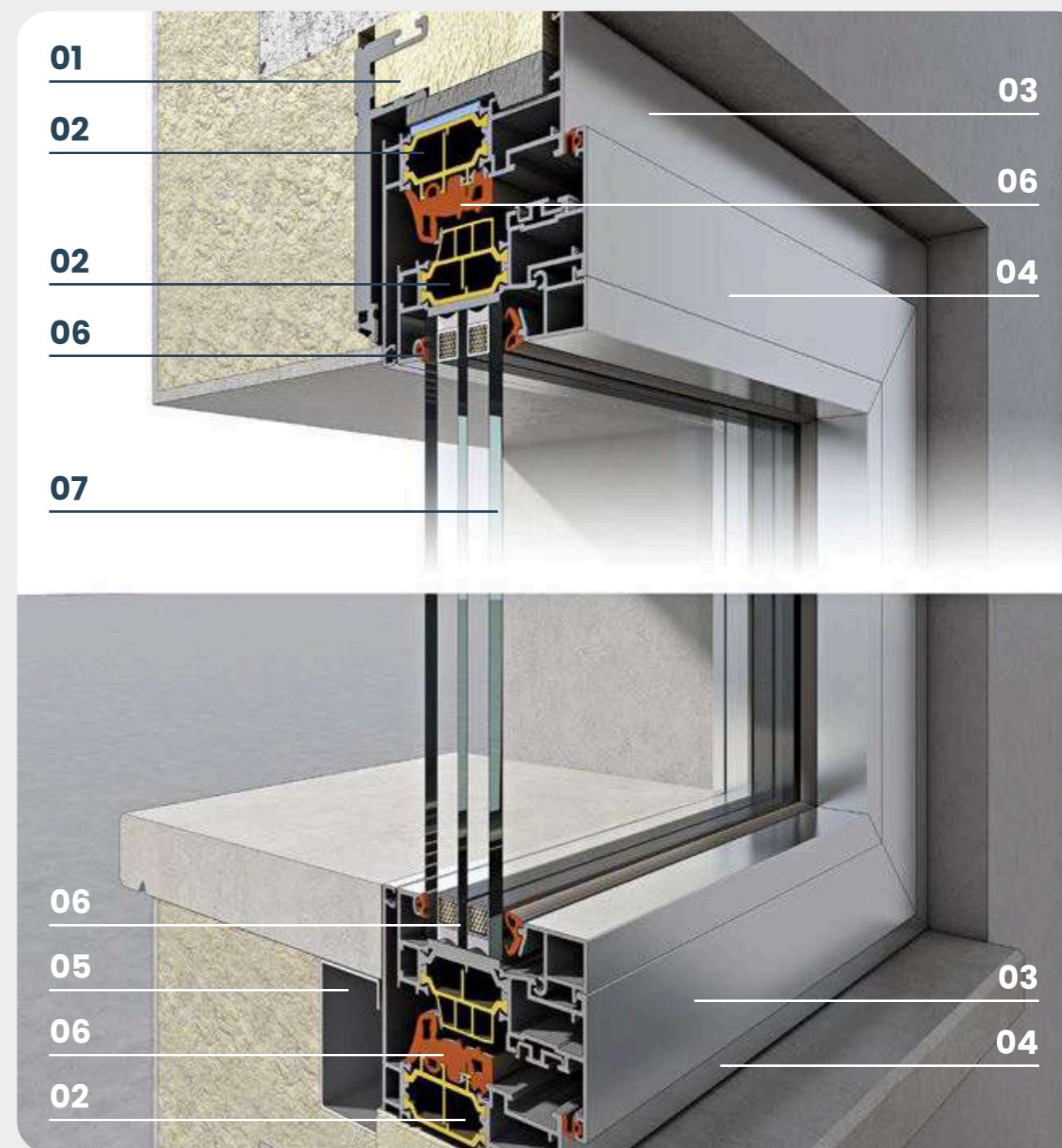
Central section with triple glazing



01 AD sash **02** Thermal break **03** Central sash
04 Gaskets **05** Triple glazing

Window - Internal

Side and bottom section



01 Counterframe **02** Thermal break **03** AD frame **04** AD sash
05 Drainage tank **06** Gaskets **07** Triple glazing

Villa Udine

A Modern Glass and Aluminum Villa
in the Hills of Udine, Italy

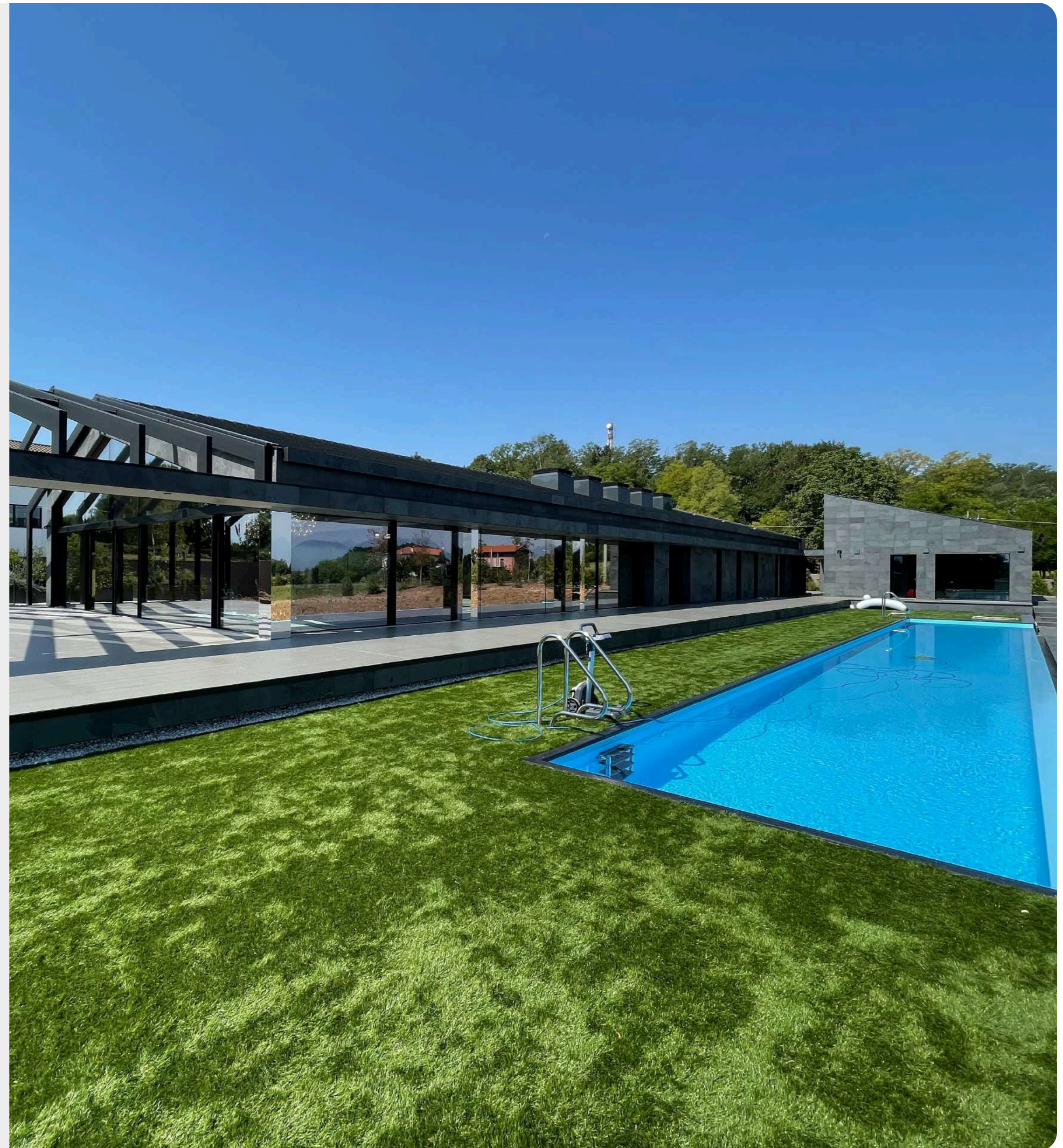
This striking villa, constructed with aluminum and glass, is a masterpiece of sustainable design nestled in the rolling hills of Udine, Italy. Designed with a focus on harmony with the surrounding landscape, the exterior seamlessly integrates with the natural environment, creating an uninterrupted transition between the indoors and outdoors.

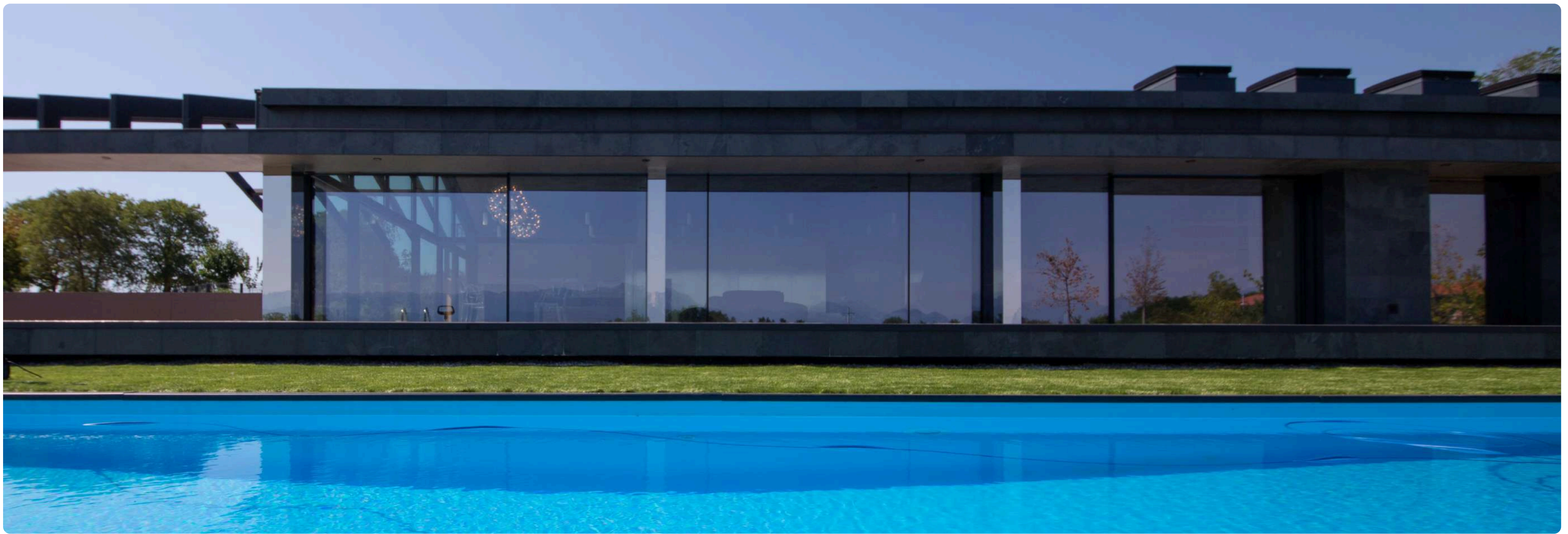
Floor-to-ceiling glass walls are not just an aesthetic choice; many of these walls open directly onto the lawn and outdoor lounge areas, enhancing the connection to nature. The outdoor pool, running along the perimeter of the house, serves multiple purposes: it reflects sunlight onto the walls and surrounding vegetation, cooling the air and filling the home with natural light.

The villa embodies transparency and fluidity, blurring the lines between interior spaces and the lush exterior environment, offering an effortless and sustainable living experience.

Product

Minimale Apexfine ++ | Ponzio





Minimale Apexfine ++

Sliding window with invisible profiles



Sound insulation

?



Resistance class

?



Thermal insulation

1,79 W/m²K



Full customisation

7 finishes, 12 types



System Performance

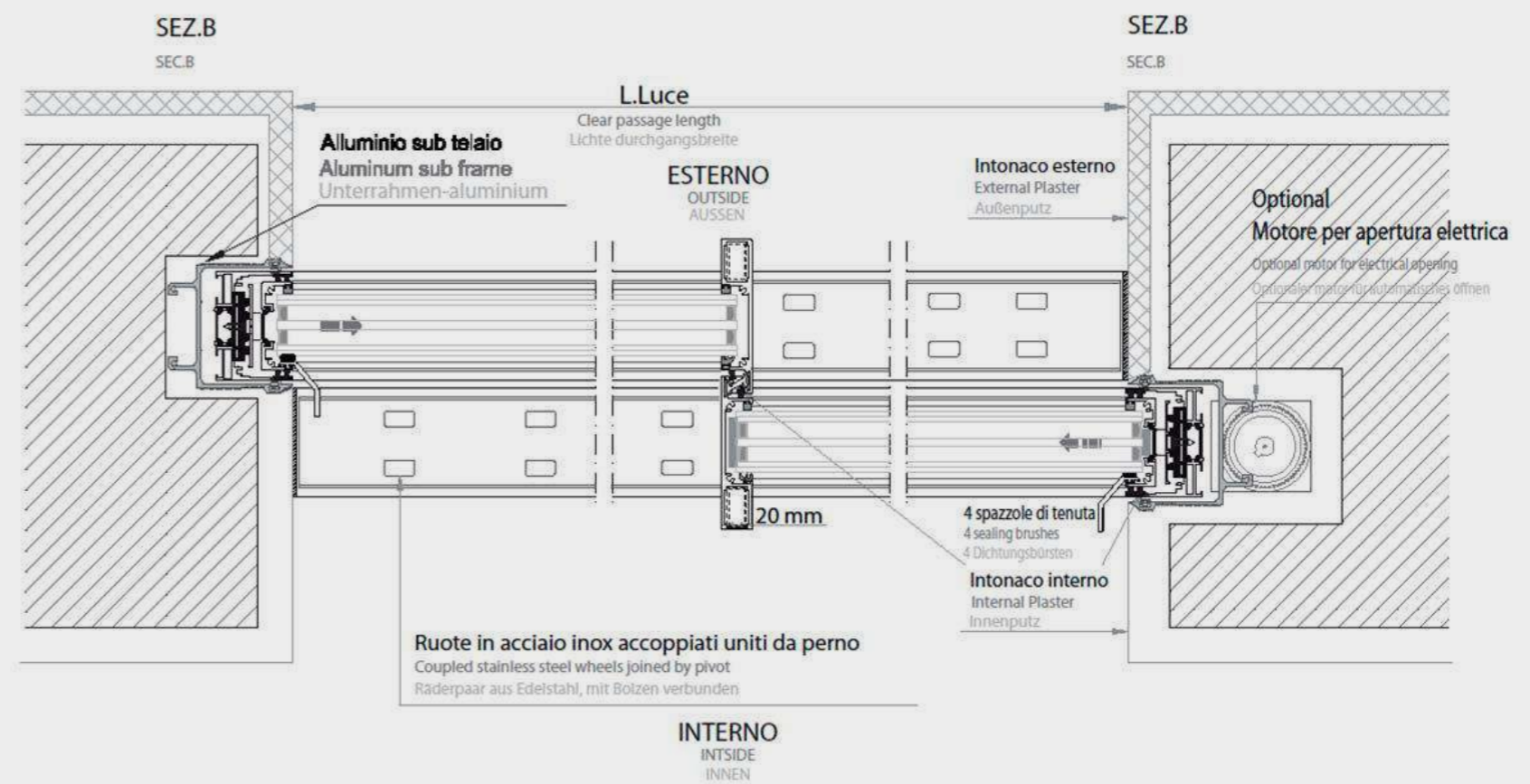
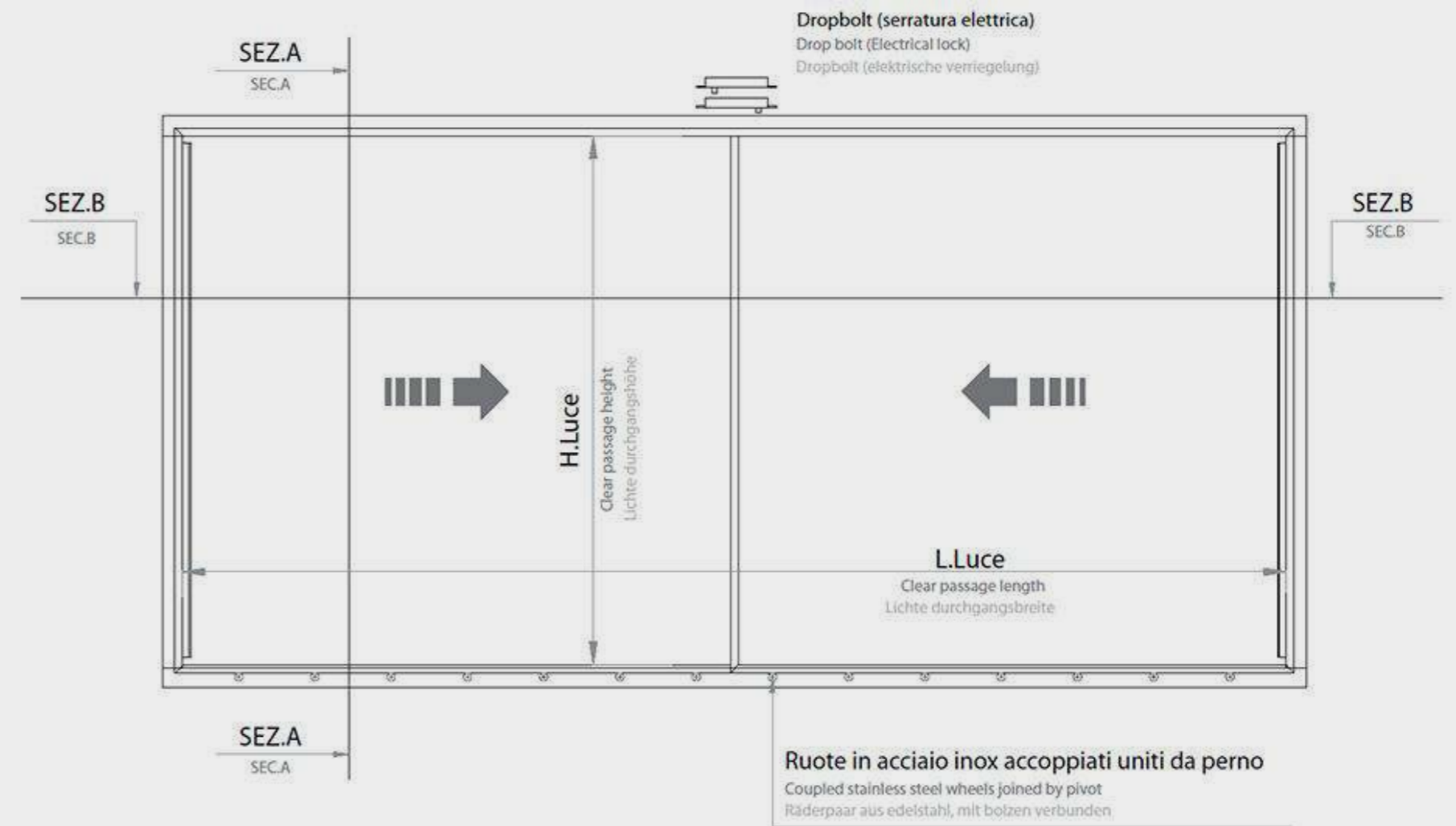
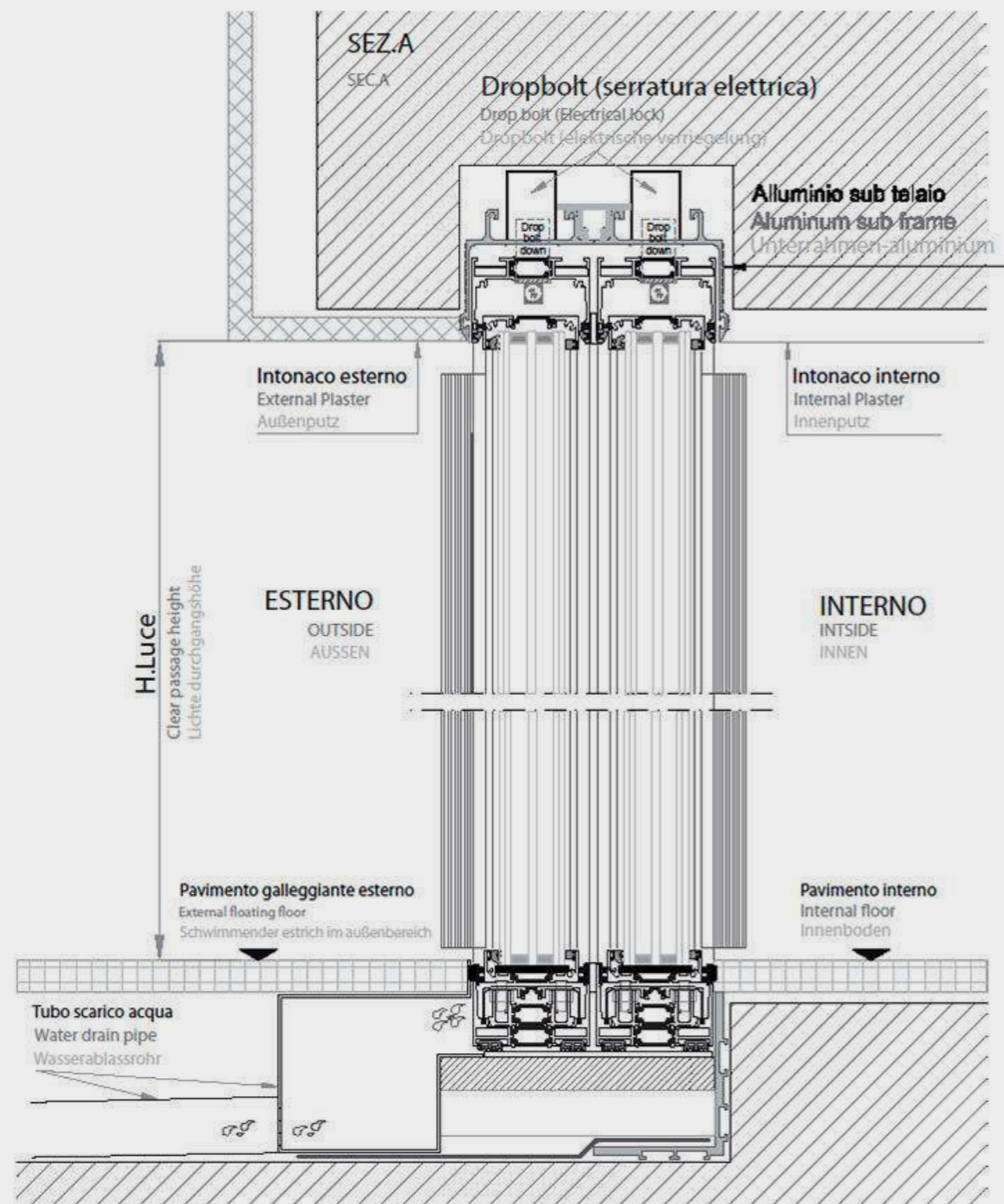
Thermal Transmittance*	with glass Ug = 0,6 Plastic Spacer	UW = 0,79 W/m ² K
Air Permeability	dim. L 4100 x H3900 mm a 2 doors	CLASSE 4
Watertightness	dim. L 4100 x H3900 mm a 2 doors	E750
Wind load resistance	dim. L 4100 x H3900 mm a 2 doors	B1

*Calculated on a frame size L 3000 x H2700 mm a 2 doors

System Specifications

Sash weight	450 Kg
Closures	Electric with Drop Bolts (magnetic bolts) Manual
Movements	Manual or automated with computerised movement and locking management

Technical Drawing



Villa Azm Israel

Eco-friendly villa offers a serene retreat

Nestled amidst the Israeli landscape, this eco-friendly villa offers a serene retreat where nature and modern comfort converge. Carefully oriented to maximize solar gain, the home is bathed in natural light through floor-to-ceiling windows, reducing the need for artificial illumination.

State-of-the-art thermal insulation ensures optimal energy efficiency and thermal comfort. The interior is adorned with sustainable materials such as certified wood and natural stone, creating a warm and inviting atmosphere.

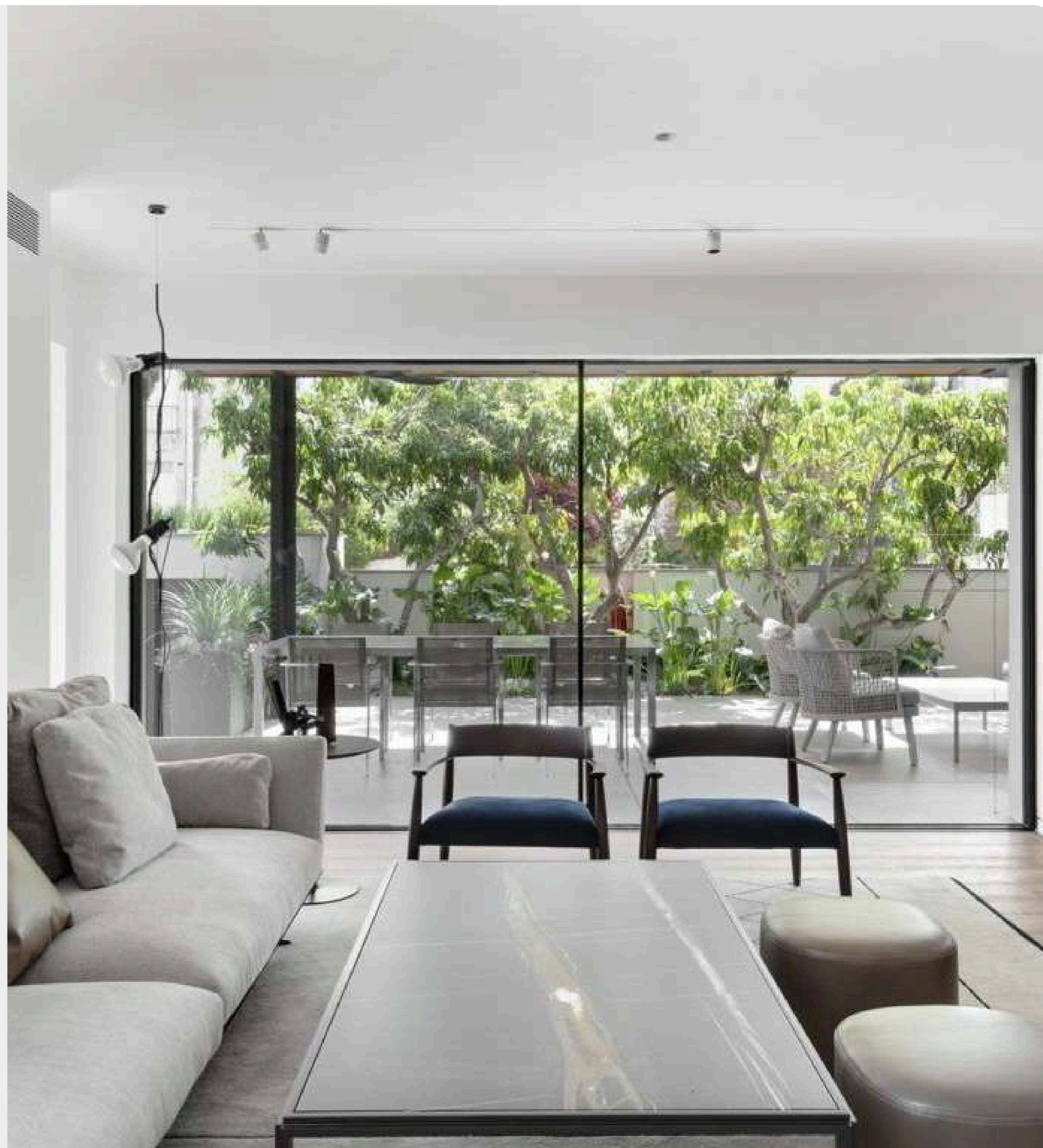
The seamlessly integrated garden provides a tranquil outdoor space, complete with native plants and a sustainable irrigation system.

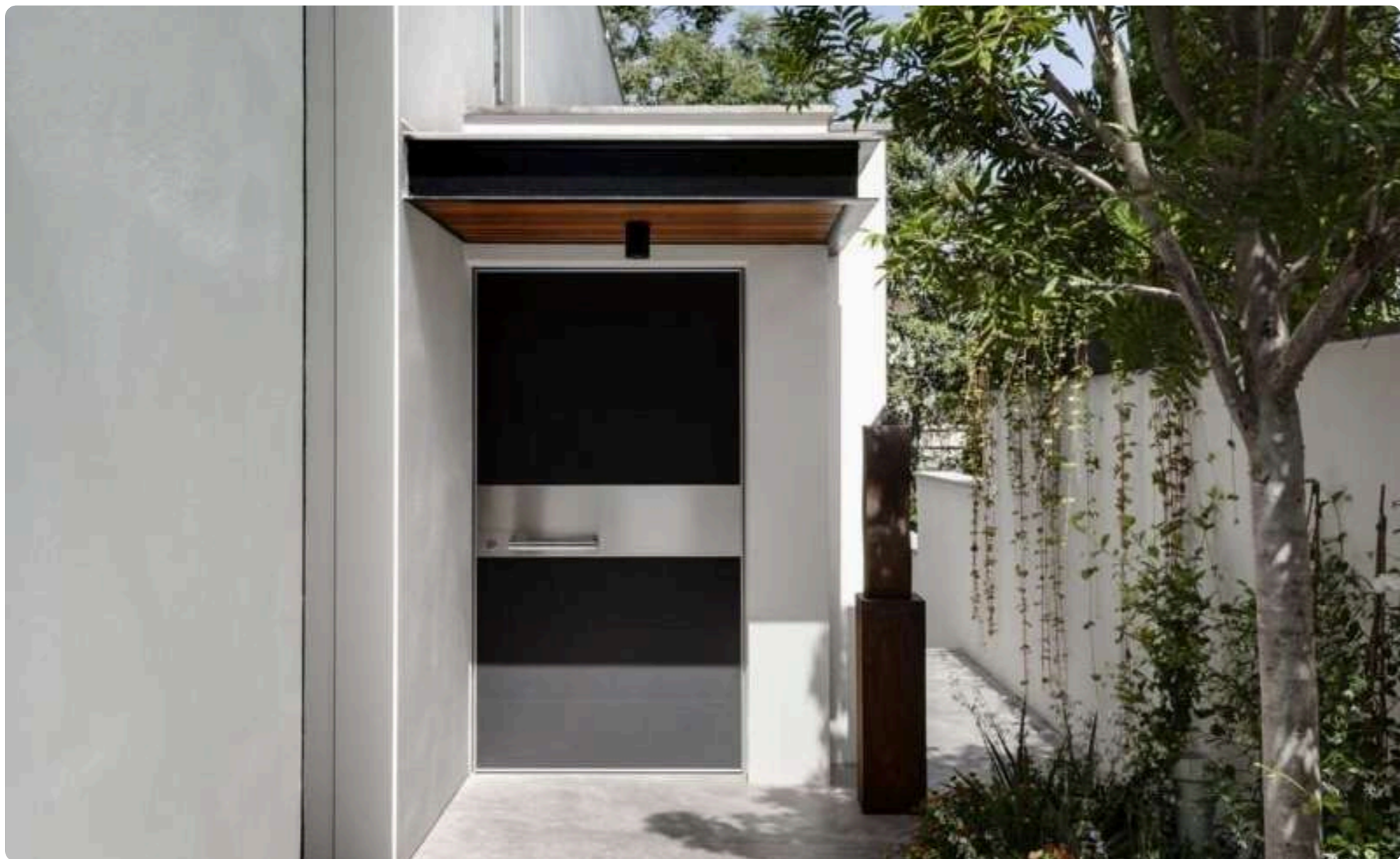
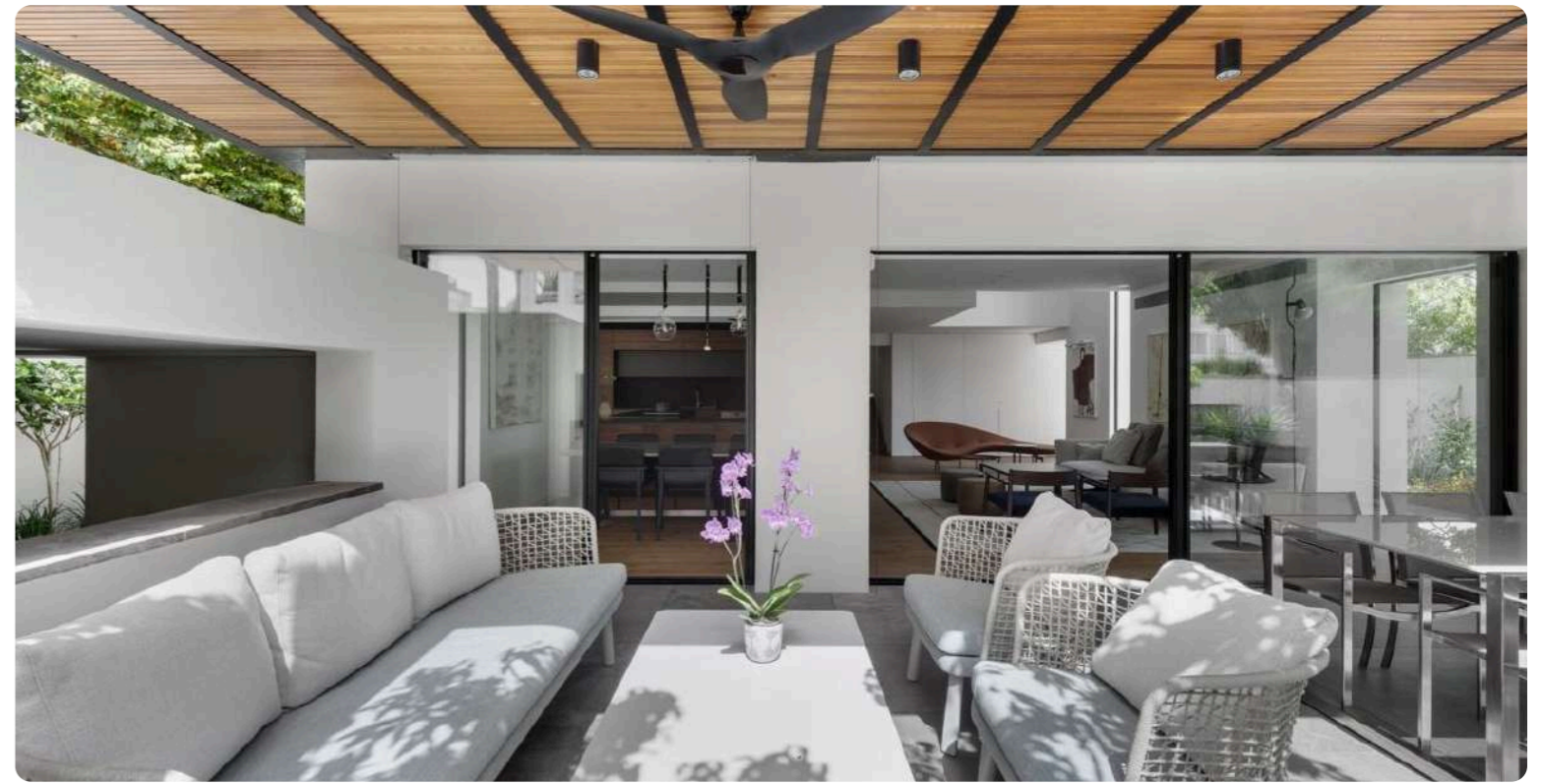
With its innovative design and commitment to sustainability, this villa offers a truly exceptional living experience.

Products

Minimale Apexfine | Ponzio

P100 LX con pannello Plana | Ponzio





Minimale Apexfine

Sliding window with invisible profiles



Sound insulation

?



Resistance class

?



Thermal insulation

1,79 W/m²K



Full customisation

7 finishes, 12 types



System Performance

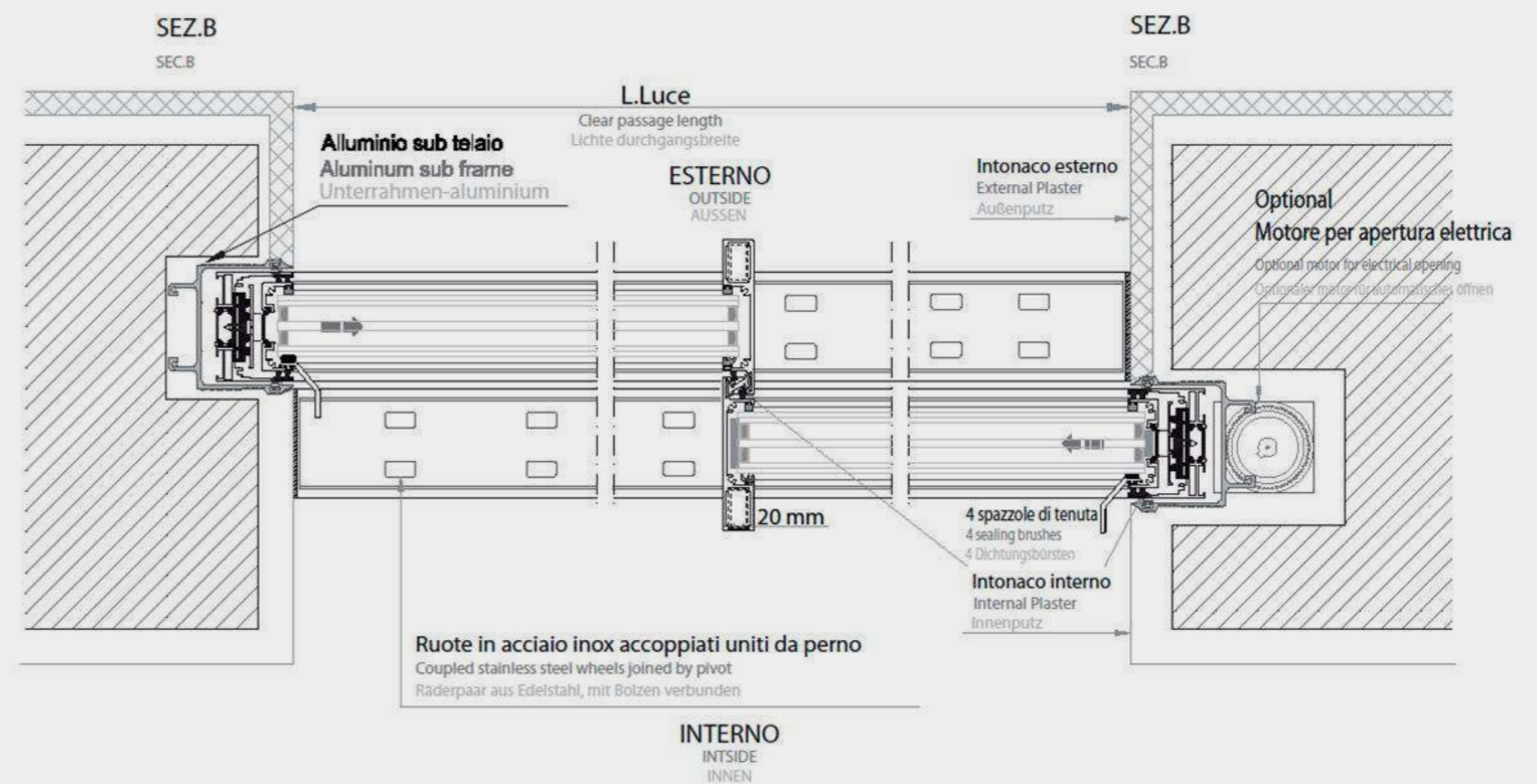
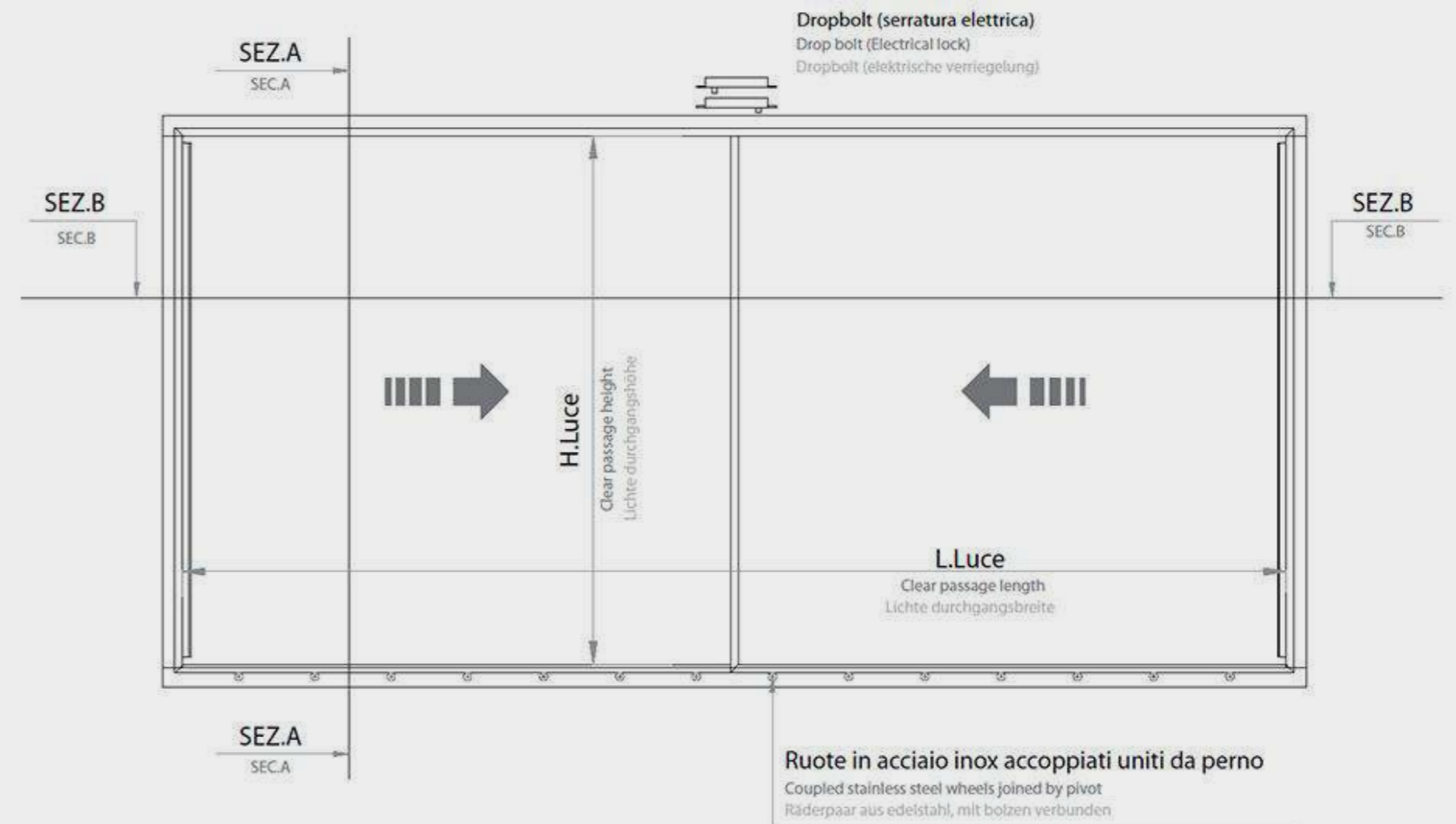
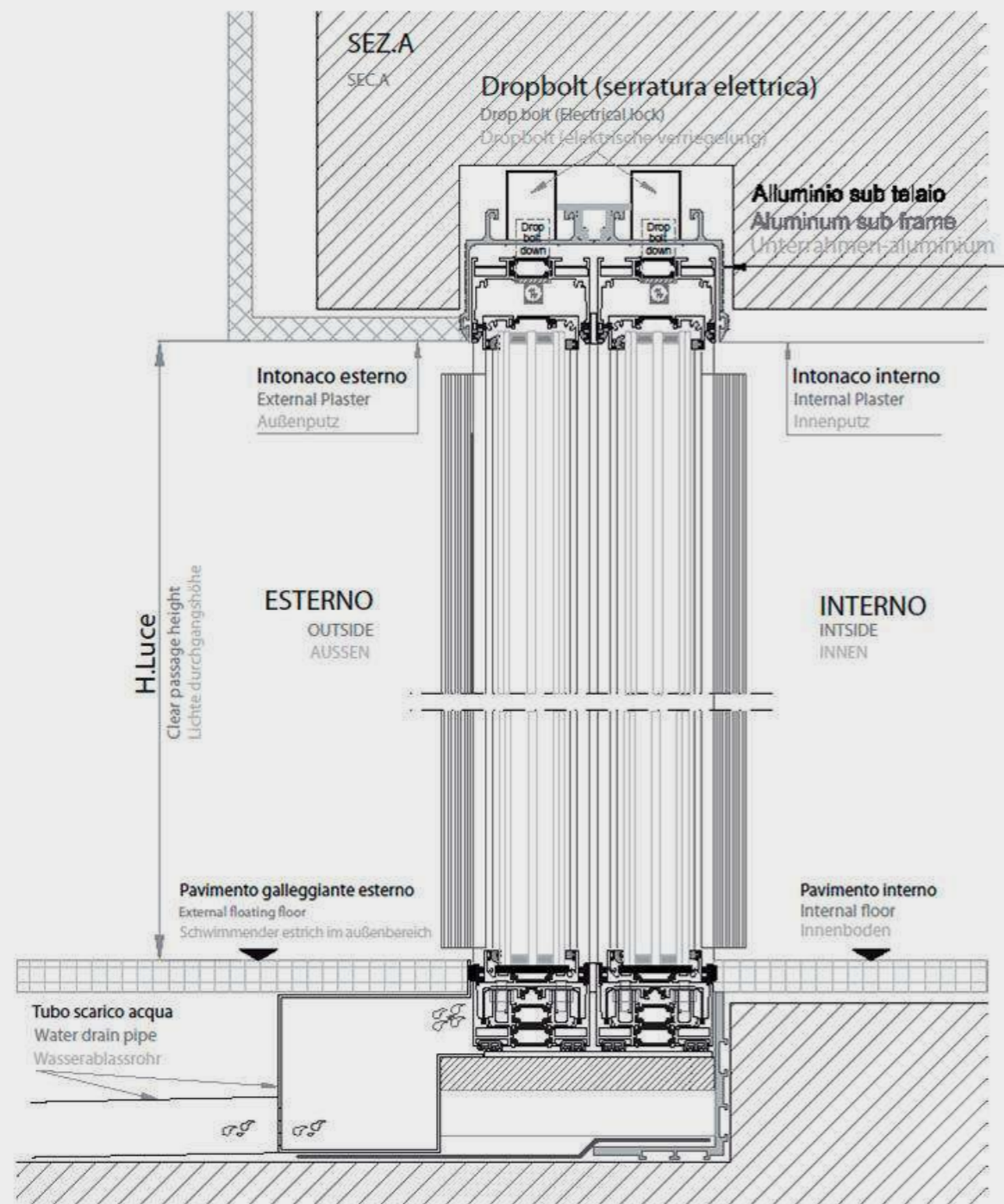
Thermal Transmittance*	with glass Ug = 0,6 Plastic Spacer	Uw = 1,48 W/m ² K
Air Permeability	dim. L 4100 x H3900 mm a 2 doors	CLASSE 4
Watertightness	dim. L 4100 x H3900 mm a 2 doors	E750
Wind load resistance	dim. L 4100 x H3900 mm a 2 doors	B1

*Calculated on a frame size L 3000 x H2700 mm a 2 doors

System Specifications

Sash weight	450 Kg
Closures	Electric with Drop Bolts (magnetic bolts) Manual
Movements	Manual or automated with computerised movement and locking management

Technical Drawing



P100 LX

con pannello Plana Fresato
Always safe, always special.



Sound insulation
Up to 36 dB



Resistance class
RC2 / RC3/ RC4



Thermal insulation
Up to 0,49 W/m2K

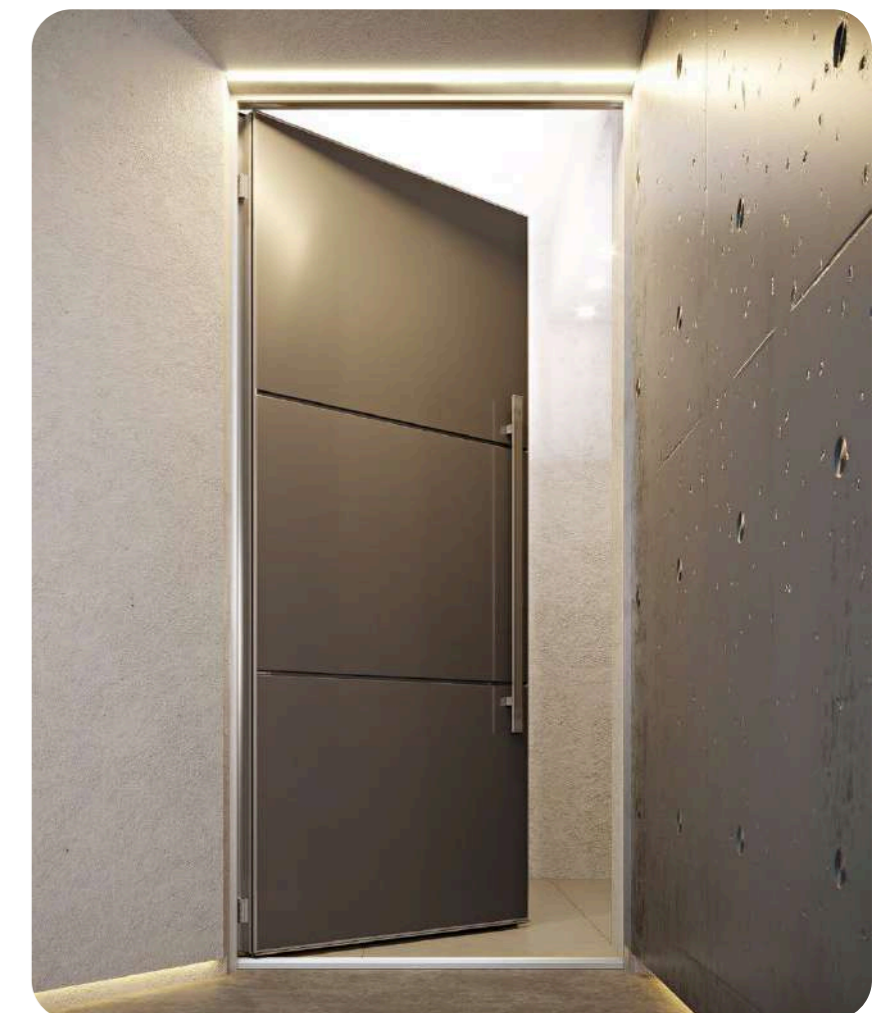


Full customisation
More than 50 colours



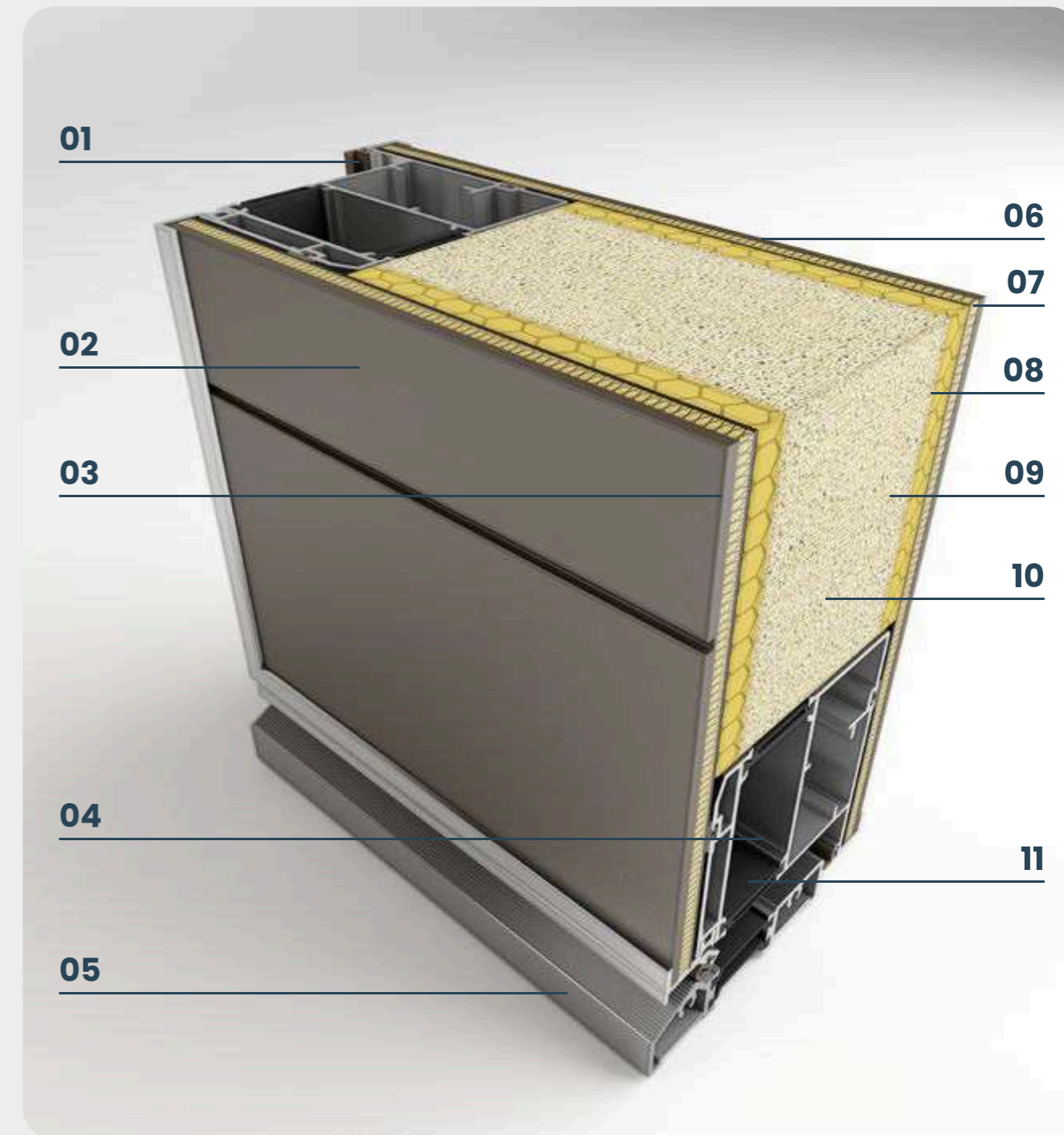
System Performance

Thermal Transmittance*	1 wing	Up to 0,49 W/m2K
Air Permeability	dim. 1700x2300 mm	CLASSE 4
Watertightness	dim. 1700x2300 mm	5A
Wind load resistance	dim. 1700x2300 mm	C4
Soundproofing	dim. 1230x2180 mm	Up to 36 dB
Burglary resistance	1 Wing	RC2 / RC3/ RC4



Threshold Aluminium Thermal

- 01** Gasket
- 02** External milled aluminium plate 1,2 mm
- 03** Infill THS + Counterbalancing plate
- 04** Sash LX
- 05** Aluminium thermal threshold
- 06** Internal aluminium plate 1,2 mm
- 07** Infill THS + Counterbalancing plate
- 08** Flexible membrane
- 09** Insulating in polyurethane
- 10** Stabilizing aluminium plate 1 mm
- 11** Insulating polyamide



Billionaire Istanbul

Where Made in Italy Meets Glamour

Designed by Beppe Riboli in collaboration with Faraone, the Billionaire Club in Istanbul blends Italian craftsmanship and glamour. Located within the prestigious The Istanbul Edition Hotel, the club features multiple levels with transparent VIP areas offering spectacular views of the dance floor.

Showcasing cutting-edge Made in Italy materials, the project revolves around an architectural masterpiece of glass and steel, including a suspended loft with panoramic views, glass balustrades for private areas, and a transparent staircase to enhance the open atmosphere.

Combining colors, reflections, and transparencies, the venue contrasts minimalist glass elegance with opulent interior details, creating an exclusive and sophisticated setting.

Product

NINFA 186 Balustrade | Faraone

Alba Inox Mini | Faraone





NINFA 186

The glass balustrade with external lateral fixation



Tested to
300 - 450 kg/m



Dynamic impact
Up to 350 / 600 J



Lighting
Optional



Finishes
Standard and on request customizations



The glass balustrade NINFA 106 was created to increase the safety level of balconies, terraces, stairs, galleries and poolside fencing. It's ideal for private and public spaces.

The profile accommodates both 8.8 and 10.10 (5/16" .5/16" and 3/8".3/8") glass thanks to the new RS system for adjusting and tightening the glass.

Optional: integrable LED and handrail.

Finishes: Standard and on request customizations.

NINFA 106

Home

For uncrowded environments



Tested to
300 kg/m | 206 lb/ft



Dynamic impact resistance
Up to 350 J | 258 ft*lb

NINFA 106

Professional

For very crowded environments



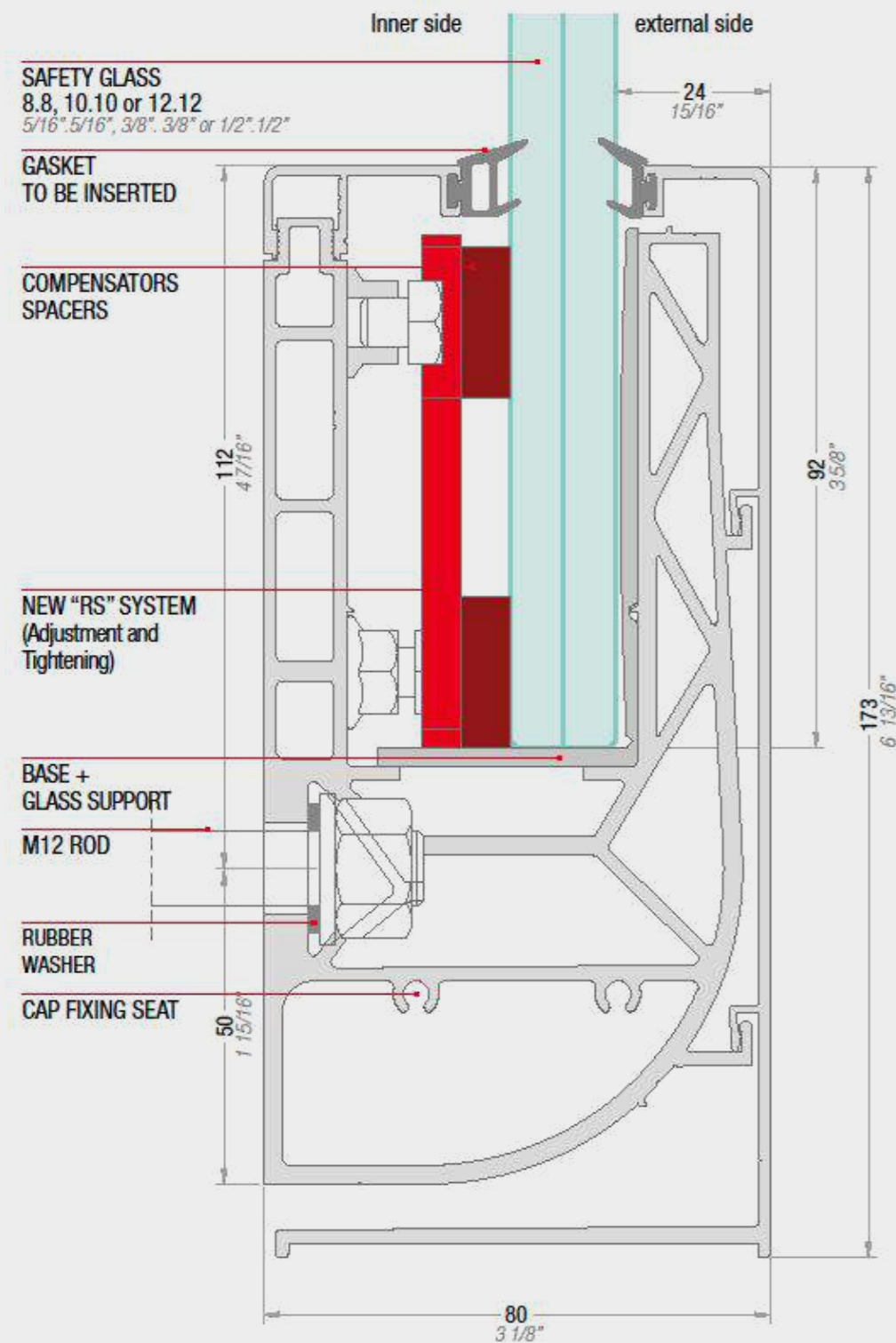
Tested to
450 kg/m | 302 lb/ft



Dynamic impact resistance
Up to 600 J | 440 ft*lb

Technical Details

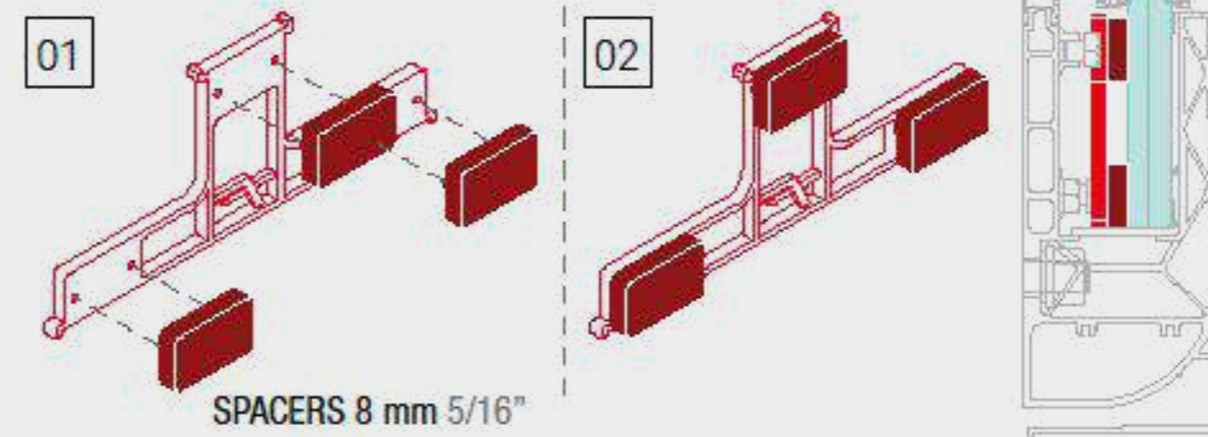
This page shows the complete list of the main components. Some accessories, such as the adjusting block, the gaskets and the cladding can vary to accommodate different thicknesses of glass sheets, such as the "compensator thickness" shown in the drawing alongside.



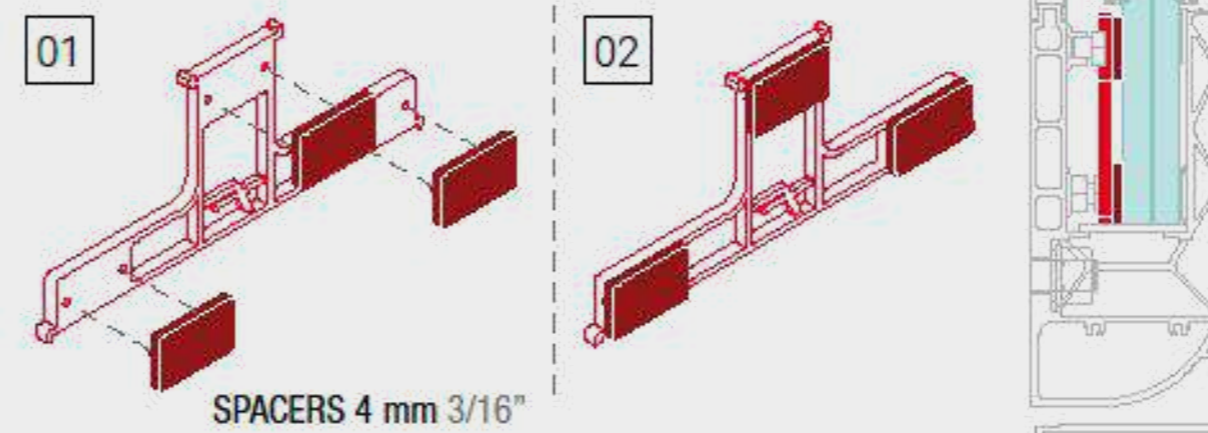
Glass thickness variations:

The thickness of the glass can vary from a minimum of 8.8, 10.10 (5/16".5/16", 3/8".3/8") to a maximum of 12.12 (1/2".1/2") using the appropriate compensator thickness inserted in the "RS System". On the left, the two variants with glass thickness change (highlighted in red).

ASSEMBLY OF THE RS SYSTEM - GLASS 8.8 (5/16".5/16")



ASSEMBLY OF THE RS SYSTEM - GLASS 10.10 (3/8".3/8")

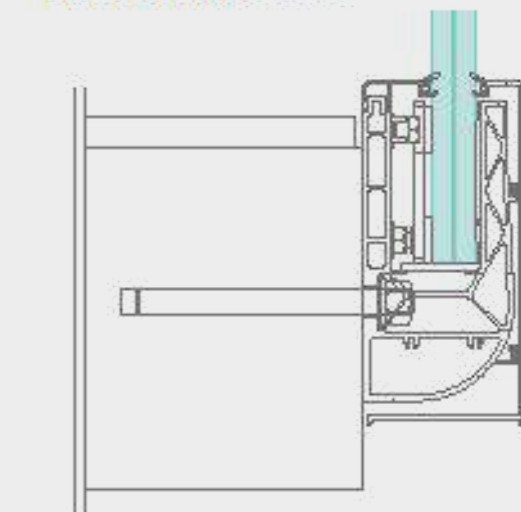


ASSEMBLY OF THE RS SYSTEM - GLASS 12.12 (1/2".1/2")



MAIN APPLICATIONS

EXTERNAL SIDE



Alba Inox Mini

Ideal for indoor environments



Tested to
Up to 300 kg/m



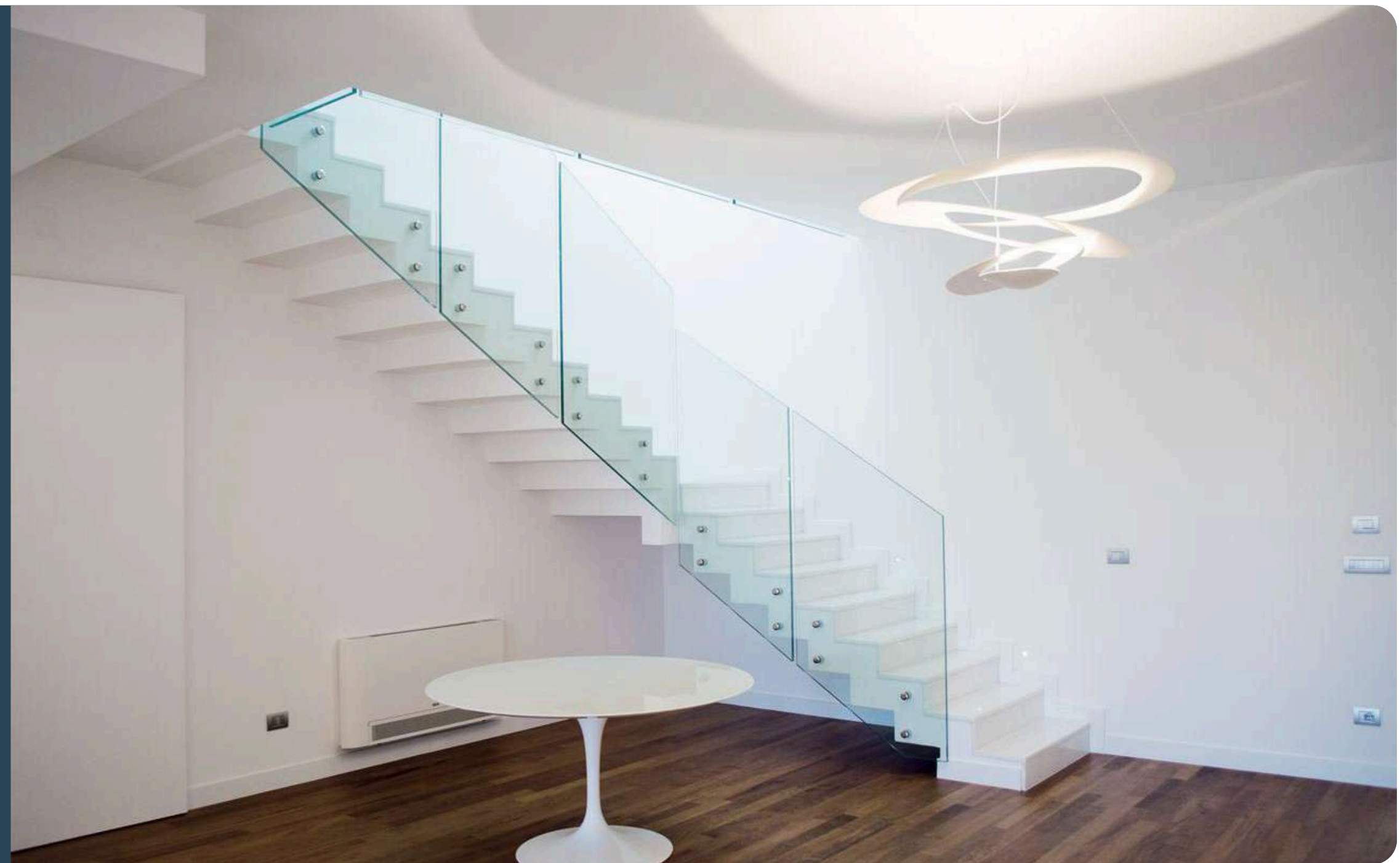
Dynamic impact
Up to 350 J



Finishes
Polished or satin-
finished stainless steel



Lighting
Optional



The point-fixing glass balustrade with a minimal and refined design.

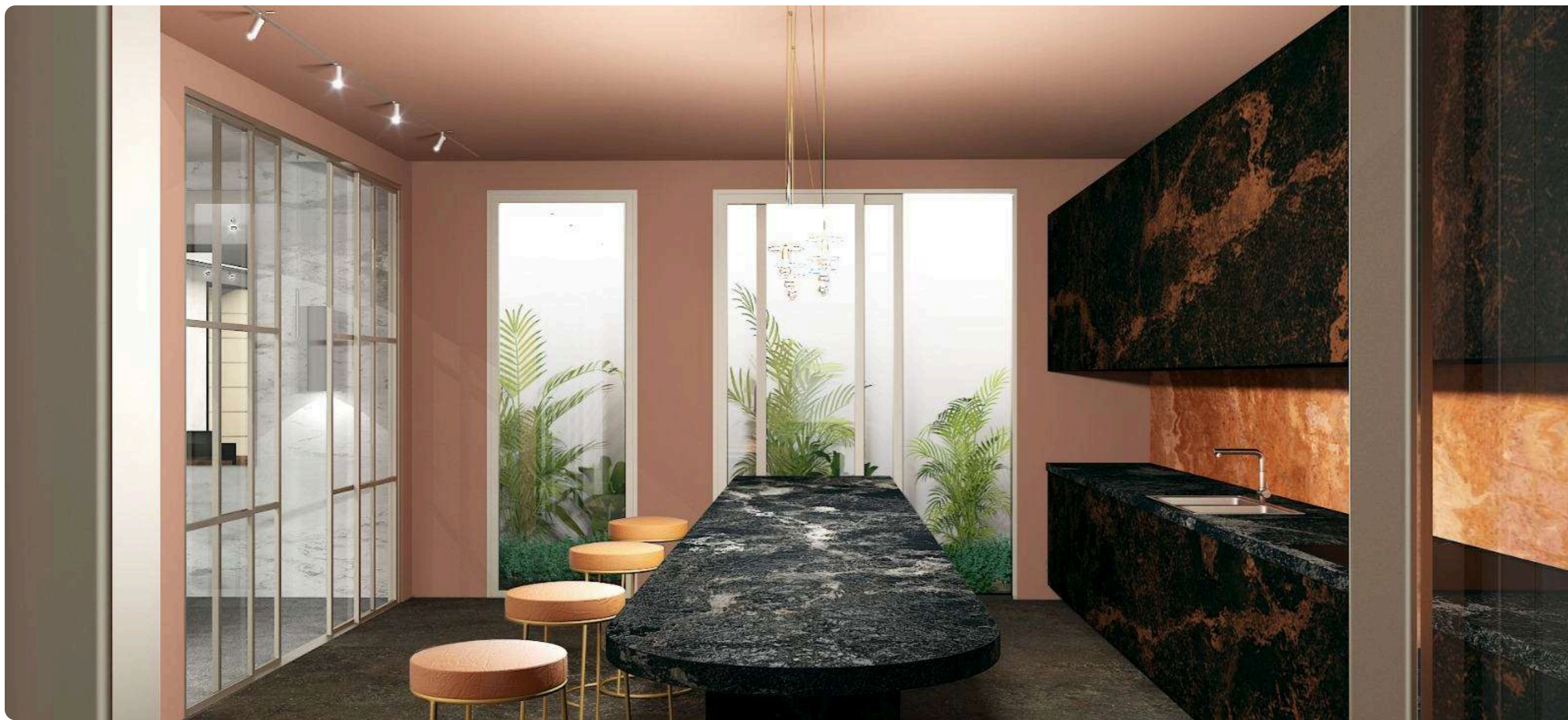
The Alba Inox Mini system is the accessory for point-fixing glass balustrades, the smallest of the Alba family, with a minimal design ideal for indoor environments. The variation range goes from a minimum of 34mm to a maximum of 44mm between floor and glass.



Discover the Deluxe Systems Showroom in Singapore

Welcome to the first and only showroom in Singapore and the ASEAN region entirely dedicated to windows, doors, and glass balustrades Made in Italy.





A true temple of Italian craftsmanship and innovation, the Deluxe Systems showroom showcases the finest selection of luxury products for villas and penthouses, designed to meet the highest standards of elegance, functionality, and sustainability.

More than just a showroom, it is a unique space where architects, clients, and contractors can come together to explore and select products, choosing from a catalog of colors and customizations with practically endless possibilities.

Step into a world of unparalleled design and quality, where each product reflects the excellence of Italian-made solutions, tailored to elevate your living spaces.



DELUXE SYSTEMS Pte Ltd

National Design Centre - 111 Middle Rd #03-01
Singapore 188969

info@ds.asia
ds.asia

ds.asia