

**faraone**<sup>®</sup>  
ARCHITETTURE TRASPARENTI  
italian style

faraone.it

**DS** DELUXE  
SYSTEMS  
ITALIAN WINDOWS CULTURE



**NINFA**<sup>®</sup>  
THE SERIES  
GLASS BALUSTRADES FOR ARCHITECTURE



IT CONTAINS NINFA MODELS 6, 106, 116, 56, 176, 186



# Take care of the people you love.

With the latest generation of Ninfa balustrades.



In 2008, the first meters of what would later become a reference system for glass balustrades in Italy were shipped: the Ninfa system.

At the time, this system was relegated to the last pages of the balustrade catalogue, after the stainless steel systems, occupying a small space with a single article.

Thirteen years and five series later, breaking records over records, the Ninfa balustrade system has definitely conquered designers and operators of the Italian sector, becoming a best-selling item with over 800,000 meters installed from 2008 to the end of 2021.

Now in its sixth generation, the Ninfa 6 series has new records to break, which we see as a natural evolution of design inherited from the previous series. For the market it is a real technological innovation that will stand out for its unique design and performance.

The entire range stems from our desire to always look forward by aiming for continuous innovation, aimed at improving its performance, its beauty, its functionality, its ease of installation and much more.

Among the main new records you will find the simplicity of the management of glass thicknesses and the possibility of using higher glass, much higher (to meet current demands), with calculation verifications and laboratory tests in total compliance with the regulations.

We do all this not because the market requires it, but because we strongly believe in what we do and always want to raise the level of the category.

Welcome to our new innovation.

## Flavio Faraone

CEO of Faraone Transparent Architectures

# INDEX

	PAG.
WHY USE THE NEW NINFA FARAONE BALUSTRADO SYSTEM.	6
NINFA THE 6TH SERIES: ONCE AGAIN THE REFERENCE POINT OF GLASS BALUSTRADOES	8
A RECORD THAT IS STILL UNDEFEATED: INSTALLATION ON THE INSIDE ONLY	10
THE NEW NINFA PROJECT	12
THE IDEAL TECHNOLOGICAL PACKAGE	14
OUR STRENGTH: THE QUICK ASSEMBLY	16
ALUMINIUM FINISHES	18
GLASS FINISHES	19
OPTIONAL	20
NINFA THE 6TH SERIES AND ITS POTENTIAL	22
THE MAINTENANCE	26
WE ARE GREEN	27
INTENDED USE	28
NINFA 106	32
NINFA 116	38
NINFA 56	44
NINFA 176	50
NINFA 186	56
NINFA 6	62
PROJECTS WITH NINFA BALUSTRADOES DURING THE YEARS	68
NINFA SERIES 6 ASSEMBLY INSTRUCTIONS	76
CUSTOMER CARE	77
NINFA SERIES 6 TECHNICAL SPECIFICATIONS	78
GENERAL CONDITIONS OF SALE	79

# WHY USE THE NEW NINFA FARAONE BALUSTRADE SYSTEM?

After more than 50 years in the world of Transparent Architecture, Ninfa is still the best-selling “all-glass” balustrade in Italy.

The Ninfa glass balustrades by Faraone are synonymous with experience, comfort and safety for outdoor environments such as balconies, terraces, poolside fencing, fences; and for indoor environments such as stairways, galleries and walkways.

The reason for using the new Ninfa series 6 balustrades by Faraone can be found in some of the following records achieved to date:

1. The Ninfa system by Faraone was the first industrialized all-glass balustrade to arrive on the market in Italy since 2008, previously there were mainly handcrafted or “do-it-yourself” solutions;
2. To date, more than 900,000 meters (984.300 yd) of Ninfa balustrade have been installed in Italy with total customer satisfaction;
3. Ninfa was the first balustrade to use the “only from the inside” assembly methodology since 2016 and today it reduces assembly times by 40% compared to the market average;
4. Ninfa the 6th series is the first glass balustrade system that fully complies with static calculations, which are verified by our technical department with inimitable performances;



**Sabatino Faraone**  
PRESIDENT



**Flavio Faraone**  
CHIEF EXECUTIVE OFFICER / CEO



**Pamela Faraone**  
ADMINISTRATIVE MANAGEMENT



**Federico Vallese**  
ORGANIZATIONAL DIRECTION

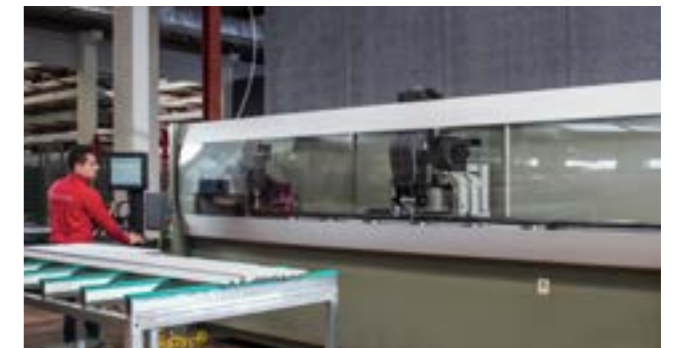


5. Ninfa the 6th series is the first to present its technology package with the “RS system”;
6. Ninfa series 6 offers high customization and prestigious finishes for the profile and for the glass;
7. NINFA 116, the profile with mounting flush with the wall and/or for solutions with floating floors.

Ninfa the 6th series is not just a product. These are some numbers related to the world of Ninfa: 35,000 orders processed to direct customers; 800,000 meters installed equal to 80,000 homes with Ninfa balustrades (about 10 meters per home). A network of consultants throughout Italy is ready to offer maximum assistance for every need, starting from simple technical or commercial advice to the definition of the design. The internal department is also able to guide you in choosing the most suitable product for you or to respond to your emergencies.

Below we have tried to answer the main FAQs (frequently asked questions), to illustrate how Faraone solves the main technical problems, at the construction site and as assistance service.

In the final part there is a section related to Ninfa’s references.



# NINFA THE SERIES 6: ONCE AGAIN THE REFERENCE POINT OF GLASS BALUSTRADES

The whole series 6 of NINFA glass balustrades has been verified by analytical calculation and real tests. News: the new RS technology for a faster installation.

**NINFA 56**  
THE GLASS  
BALUSTRADE  
WITH AN ULTRA  
SLIM DESIGN  
*(It's ideal for moun-  
ting on a low wall)*

**NINFA 106**  
THE MINIMAL  
BUT HIGH-PER-  
FORMING BALU-  
STRADE  
*(ideal for private  
places like balcon-  
ies and terraces,  
and uncrowded  
public places)*

**NINFA 116**  
THE GLASS  
BALUSTRADE TO  
BE MOUNTED FLU-  
SH WITH THE EX-  
TERNAL SIDE OF  
THE FLOOR AND  
FOR SOLUTIONS  
INTEGRATED INTO  
THE FLOOR  
*(ideal for private places  
like balconies and ter-  
races, and uncrowded  
public spaces)*

**NINFA 6**  
THE GLASS  
BALUSTRADE  
WITH HIGH  
PERFORMANCE  
*(ideal for public  
and crowded pla-  
ces)*

**NINFA 176**  
THE GLASS  
BALUSTRADE  
WITH INTERNAL  
SIDE FIXING  
*(ideal for private  
and crowded pu-  
blic places)*

**NINFA 186**  
THE GLASS  
BALUSTRADE  
WITH EXTERNAL  
SIDE FIXING  
*(ideal for private  
and crowded pu-  
blic places)*

# A RECORD THAT IS STILL UNDEFEATED: INSTALLATION ON THE INSIDE ONLY

## Install-time optimization

When the Faraone R&D department designs a balustrade, they also think about the installation phases.

That's why all the NINFA series 6 technology is even easier and quicker to install.

The glass is assembled exclusively from the inside to offer a better installation experience and greater safety for the installer, who is not forced to work from the outside.

Also for the Ninfa 186 profile, which is fascia mounted, the glass is mounted only from the inside.

It is advisable to contact "expert hands" to be sure to get a state-of-the-art installation.



Watch the installation video of Ninfa 106 or consult the written instructions on p. 192



# THE NEW NINFA PROJECT

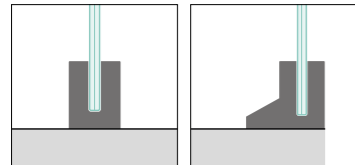
The new NINFA Series 6 project further improves the previous series with a more practical and faster glass adjustment system.

## PATENTED SYSTEM

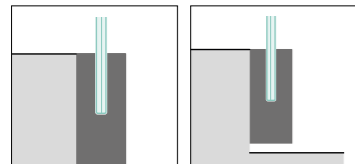
New range with resistance from 200 kg/m (tested at 300 kg/m) up to 500 kg/m (tested at 750 kg/m).  
 137 lb/ft (tested at 206 lb/ft) up to 343 lb/ft (tested at 514 lb/ft).

**THE SYSTEM GUARANTEES THE USUAL SAFETY LEVEL.**

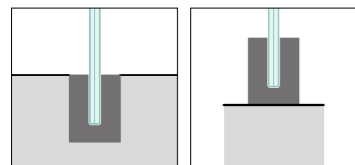
## Types of FIXING



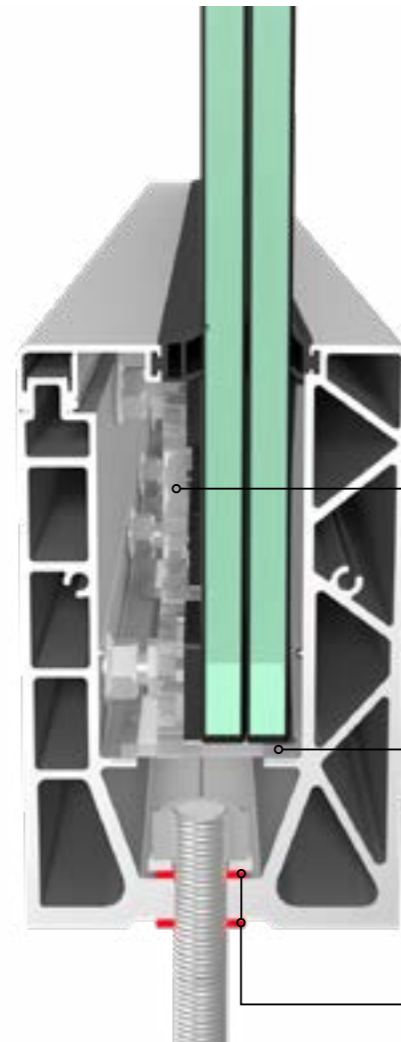
ON THE FLOOR



WITH SIDE FIXING



INTEGRATED INTO THE FLOOR  
 FIXED TO LOW WALL

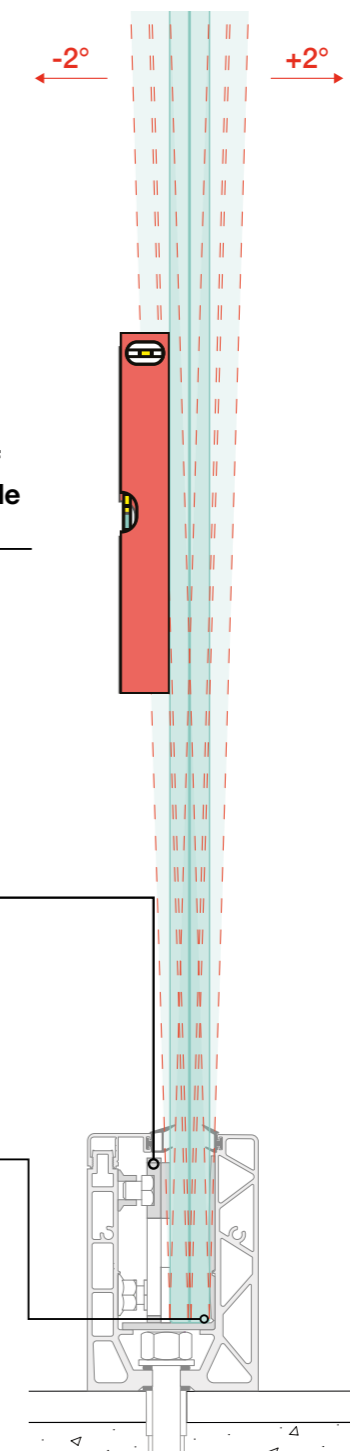
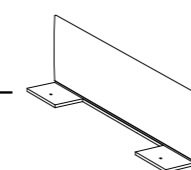
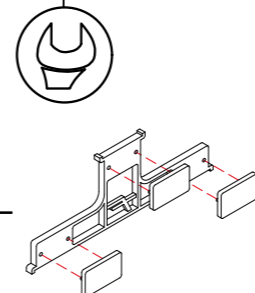


New RS system

Glass-holding Plastic

Rubber washer

With **NINFA SERIES 6** the adjustment and alignment of the glass are even faster inside of the balustrade.



**Glass**  
 6.6, 8.8, 10.10 and 12.12

1/4", 1/4", 5/16", 5/16", 3/8", 3/8" and 1/2", 1/2"

The use of extra-clear glass for LEDs is essential.

The LED-holding profiles are already inserted in the system.

# THE IDEAL TECHNOLOGICAL PACKAGE

- 1 - NINFA system
- 2 - Safety glass

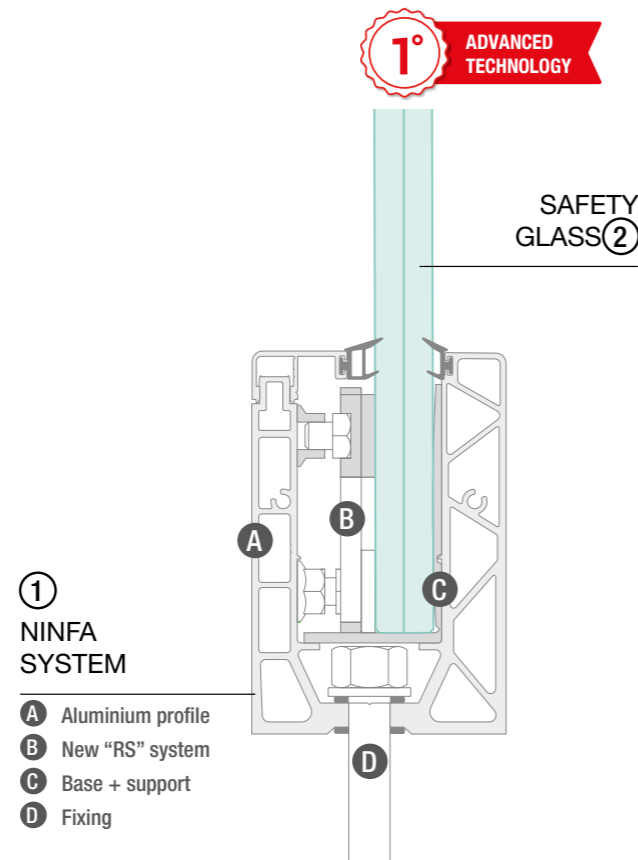
Only with **the NINFA system** and the **appropriate safety glass** it is possible to obtain **surprising performances** in total compliance with the regulations.

The knowledge of the materials used such as aluminium and glass combined with their technological capabilities has allowed Faraone to develop increasingly performing systems.

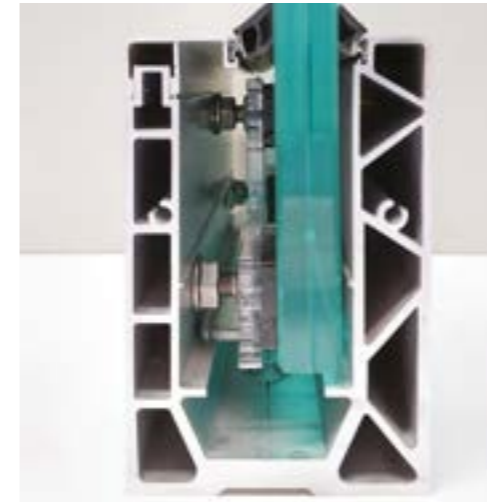
This is possible thanks to the Technology Package consisting of the **NINFA System** (profile, RS, base, fixing) and the **appropriate Structural Glass**.

Why are they both essential? The **NINFA System** concerns Faraone's know-how: from resistance performance (based on the intended use and the glass used) to installation needs and ease of assembly. The **Structural Glass**, on the other hand, concerns the production technique of the glass sheets, the hardening and processing methods that make this material, basically fragile, into a resistant and performing one.

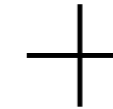
The performance of a glass balustrade depends mainly on the number of sheets that make up the balustrade, their thickness and the type of interlayer that is inserted inside.



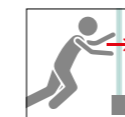
**1**  
**NINFA SYSTEM**  
(SUPPLIED BY FARAONE)



**2**  
**SAFETY GLASS**  
(INDICATED BY FARAONE)

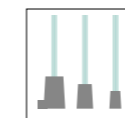


### The advantages of the NINFA system



#### TEST IN COMPLIANCE WITH REGULATIONS

We calculate and test the resistance levels of Ninfa balustrades in compliance with current regulatory standards.



#### INTENDED USE

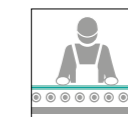
Each NINFA glass balustrade is designed for specific uses.



#### SPEED OF ASSEMBLY

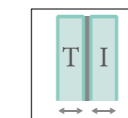
The assembly and plumbing of the glass are faster and easier

### Rely on the indications by Faraone on the glass



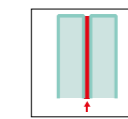
#### TEMPERING AND HARDENING PROCESSES

One of the main steps in glass processing to increase its resistance by 4 times.



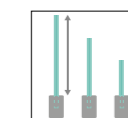
#### CORRECT STRATIFICATION

In addition to the thickness of the glass plates, it is important to insert the Hardened glass on the outside and the Tempered glass on the inside.



#### TYPES OF INTERLAYER

It is an essential element that determines the behaviour of the glass even after breaking. Use "hard" plastic interlayer for superior resistance.



#### GLASS HEIGHT

Thanks to the data of our tests, in addition to the types of glass, we are able to indicate the maximum height of each glass relative to the intended use.



# OUR STRENGTH: THE QUICK ASSEMBLY



4 simple steps, and that's it!

## STEP01

### > PREPARATION

- Position the pre-drilled bar (with external gasket already inserted) to use as a template
- Mark the holes and then drill the floor
- Thoroughly clean the holes
- Apply the resin
- Insert the rods

### > START OF ASSEMBLY

- Fasten the profile to the floor



**YOU ONLY HAVE TO**  
Place in sequence:  
first rubber washer,  
aluminium profile,  
second rubber washer,  
plain washer, nut M12

## STEP02

### > Glass housing

- Insert the plastic for glass housing inside the profile
- Prepare the RS system by inserting the correct spacers according to the glass to be inserted (6.6, 8.8, 10.10, 12.12) (1/4", 1/4", 5/16", 5/16", 3/8", 3/8", 1/2", 1/2")



**YOU ONLY HAVE TO**  
Distribute the plastic  
for glass support (4  
for each meter)

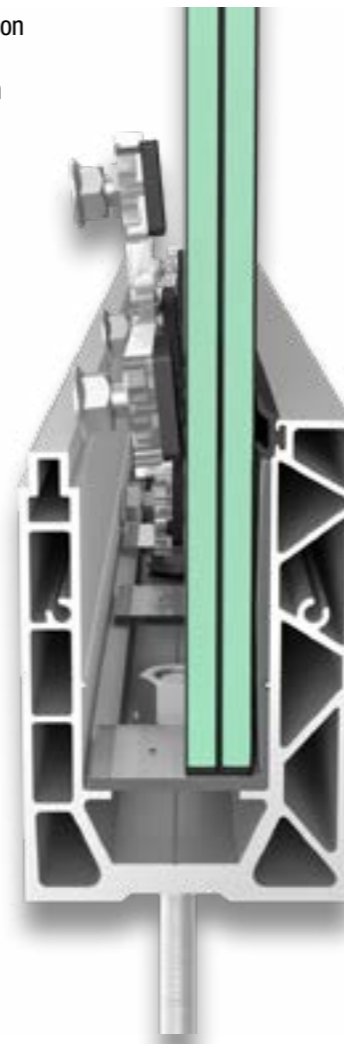
## STEP03

### > Positioning of the glass

- Insert the glass in an inwards inclined position

### > Insert the RS system

- Insert the adjusters (RS system)
- Adjust the inclination
- Tighten both rows of adjusters

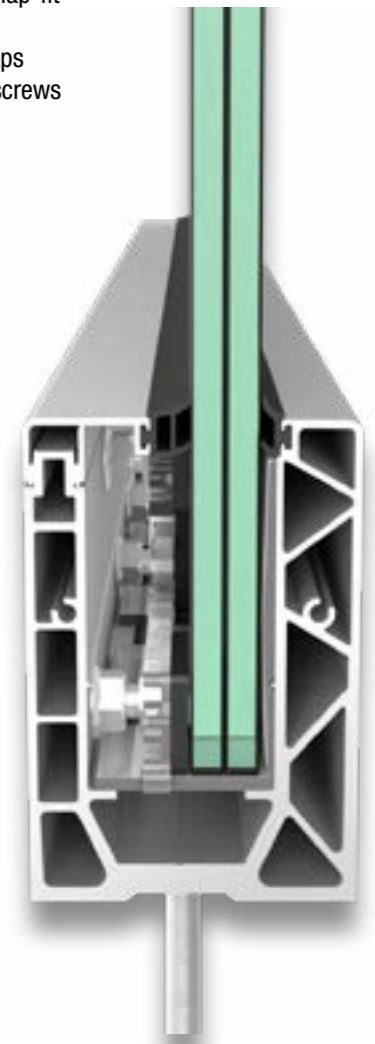


**YOU ONLY HAVE TO**  
Insert 4 adjusters  
(RS system) for each  
meter. Make sure you  
correctly plumb the  
glass, having spaced  
the slabs by 2 cm.

## STEP04

### > Final phase

- Insert the upper snap-fit cladding
- Fasten the side caps with the supplied screws



**YOU ONLY HAVE TO**  
Make sure you  
have performed  
a professional  
installation.

# ALUMINIUM FINISHES

Exemplary reproduction of the available finishes

Customize your balustrade



Customize your profile with trendy finishes for INDOOR and OUTDOOR use, or choose a colour on request among more than 2,000 RAL colours.



## Anodized finishes

### BASE



**SILVER ANODIZED**  
(raw on request)

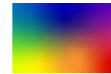
### PREMIUM ON REQUEST



**INOX CHROME MATT ANODIZED**

## Other colours

### ON REQUEST



**2000 RAL colours**

## RAL Finishes and Special Paints

### BASE

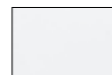


**WHITE**  
RAL 9010 POLISH



**BLACK**  
RAL 9005 MATT

### PREMIUM ON REQUEST



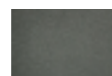
**TRAFFIC WHITE**  
RAL 9016 MATT



**ALUMINIUM GREY**  
RAL 9006 MATT



**ANTHRACITE GRAY**  
RAL 7016 MATT



**GREY**  
RAL 7016 GRINZ



**BRONZE**  
EFFECT PAINTING BRONZE



**ANTIQUÉ GREY**  
SPECIAL PAINTING WRINKLED EFFECT



**NKR1**  
SPECIAL PAINTING DOVE GREY EFFECT



**NKR2**  
SPECIAL PAINTING CONCRETE GREY EFFECT



**NKR3**  
SPECIAL PAINTING CORTEN EFFECT

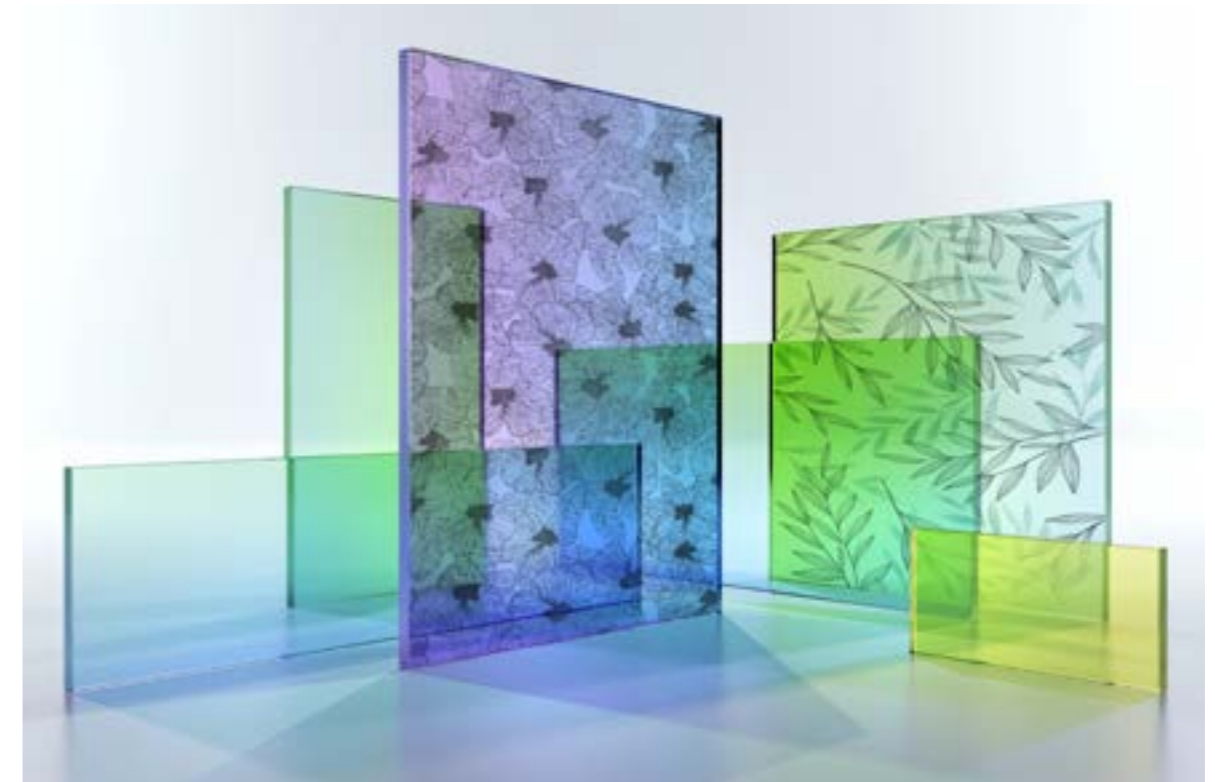
# GLASS FINISHES

Customize your glass  
(Glass not supplied by Faraone)

## Not just transparent glass

Follow our directions and get the effect you have in mind.

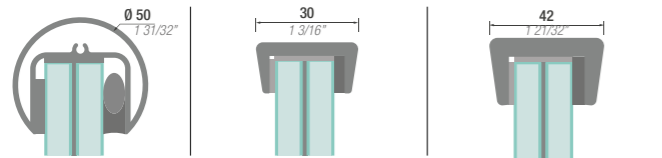
- Choose to customize your glass sheets with opaque colours or particular shades such as the cloud effect.
- Use screen printing or etching to give a special touch to your environment.
- Customize the interlayer with special fabrics or print the graphics or effect you prefer directly on the glass.



# OPTIONAL

Exemplary reproduction of the available finishes

## Handrail



## Anodized finishes and Painted

### BASE



**SILVER**  
SILVER ANODIZED  
(raw on request)



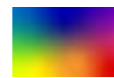
**WHITE**  
RAL 9010  
GLOSSY



**BLACK**  
RAL 9005 MATT

## Other colours

### ON REQUEST



**2000 colours**  
RAL

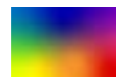
## Led Pack

(Not supplied by Faraone)

### TYPES OF LIGHT

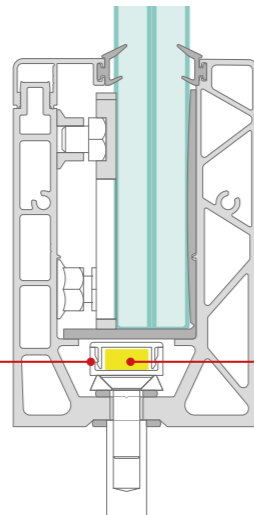


**WHITE LIGHT:**  
Unique light effect



**MULTICOLOR LIGHT**  
Customize the type of light thanks to the RGB LED version

Supplied by Faraone



### LED EFFECTS

Get the most of the light and the effect you want:

#### EDGE EFFECT:

- on extra-clear glass

#### DIFFUSED LIGHT EFFECT:

- on glass with surface treated for LEDs

Supplied by Faraone



NINFA with multicolor LED.  
Hotel Riccione.

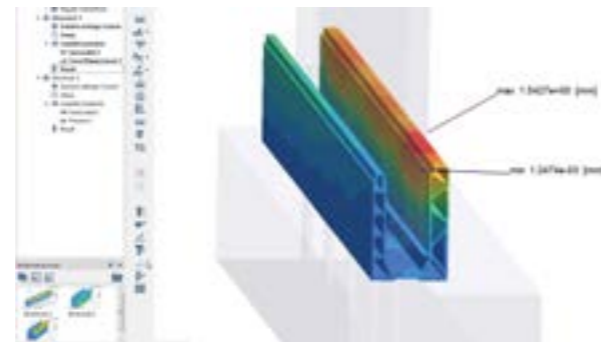
# NINFA THE 6<sup>th</sup> SERIES AND ITS POTENTIAL

The secret of the new glass balustrades is in the details.



**Sabatino Faraone**  
Founder and President of the Faraone Company with over 50 years of experience in the sector.

## THE IMPORTANCE OF THE ALUMINIUM SHOCK ABSORBER PROFILE



What is important to know is that you have to choose the right materials for the uses you will have to make. This is true for aluminium, too: there are different alloys and different hardness levels that determine its characteristics depending on the use; consequently, this aspect also applies to the balustrades. There is a need for study, continuous experimentation of knowledge of the materials and suppliers who follow you along this path.

Ninfa series 6 was born thanks to the knowledge of the behaviour of the materials, thanks to which it was possible to obtain a system that has the right stiffness and, at the same time, the right elasticity to obtain the right shock-absorbing effect; that is, the ability to unload on the profile the loads that are applied to the glass. It is easy to design a “heavy profile” (rigid and resistant) that is not optimized for glass.

It is difficult, very difficult, to create a “shock-absorbing profile” (elastic and resistant) that is designed to collaborate with the glass and to obtain a highly performing and optimized system. In the following pages you will discover the surprising results achieved by Ninfa series 6.

## THE FUNDAMENTAL ROLE OF ACCESSORIES: THE RS SYSTEM

Immediately after the profile, we find the heart of the new NINFA technology: the RS system of internal accessories. Having a profile with exceptional performance is not



enough, if it is not accompanied by a system of accessories that are equally performing. The new RS system, an unprecedented glass pressure and adjustment system, allows in a few quick steps to adjust the plumb and tighten the glass in order to obtain a complete collaborating system. Furthermore, the glass thickness change system is also new; it is done simply by replacing the presser plugs with a simple click. The choice of the material is also important: the RS system is made entirely of transparent moulded polycarbonate, with high compressive strength and at temperatures from -40 up to +95 C°. All the bolts of the adjusters are made of AISI 304 stainless steel.

## THE GASKETS: ADVANTAGES OF THE NEW DESIGN AND COMPOUND

Have you ever thought of gaskets as an important element for a glass balustrade? They are not needed only to avoid contact of the glass with aluminium, but also to limit the passage of water. A simple gasket that acts only as an exterior appearance is not enough, it



must have a real role of a protagonist. The compound must be designed in such a way as not to expand or shrink, and to maintain its colour over time despite its exposure to different weather conditions and atmospheric agents. On the technical side, it must be easy to insert and must adhere to the glass in the various conditions of inclination. The Ninfa 6 series has left nothing to chance, thanks to the gasket made with a special compound that allows it not to shrink over time, not to yellow and always remain under pressure on the glass.

## FIXING: CHEMICAL vs. MECHANICAL

This is the question that designers and installers ask us most often: which fastening do you recommend? Fastening is a fundamental element in any application. Whether it's a window, an awning, a canopy, each product must have its fixing suitable to hold that weight under certain conditions and on certain supports.

I can assure you that the fixing for the balustrades is of fundamental importance.

Since 2008, with the first Ninfa systems, fixing to the



floor has always been an element of primary impor-

tance, so much so that in the design of the various Ninfa systems over the years, fixing is the first element that has always been taken into consideration. The fixing system indicated by Faraone is the only one that is able to guarantee the perfect tightness, which is verified by calculation and carried out in several tests performed both in our test laboratory and at the certification bodies:

- a threaded bar certified according to the standard
- a corresponding CERTIFIED chemical anchor recommended by the manufacturer, not just any chemical resin!

Is the mechanical fixing not up to standard? Let me be clear, even the mechanical fixing offers the necessary guarantees if you are sure that you have a “guaranteed” concrete, better if vibrated; however, on the construction site you do not always have to deal with an ideal concrete.

This is why fixing with a chemical resin offers all the guarantee that is needed for those who do not want to have problems after the installation.

#### WATER DISCHARGES ON THE PROFILE

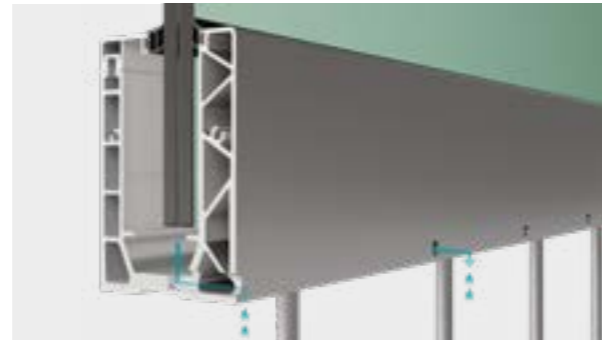
The first question that is asked by the designer and the customer is: where does the water go?

Water has always been a hassle for all those who have to do with outdoor balustrades. You never know where it comes from. Even when everything is planned and designed well, it can sometimes infiltrate into a micro-crack and become a problem.

As for the balustrade, the utmost attention must be paid to:

- the gasket along the glass
- the gasket between glass and glass
- the fixing

- the water that stagnates near the bar due to the in-



- clination and the non-prediction of water discharges
- do not use polyester resins, they are not suitable for the required loads.

Paying attention to all these points, with an excellent installation, infiltrations are avoided.

However, we wanted to go further with two important technical measures:

- the use of epoxy resin (water-proof)
- external discharges on the whole new Ninfa 6 series

This prevents water from infiltrating into the fixing points and any excess water from escaping from the discharges (just like windows).

## THE TESTS

### ① Test at the Faraone laboratory

The birth of each product passes through laboratory tests. Even the series 6 of Ninfa, during the development process, was subjected to numerous tests at the Faraone LAB.

**FARAONE** LAB  
ARCHITETTURE TRASPARENTI



### ② Test at the Polytechnic Institute of Milan

After passing the tests at the Faraone LAB, the certifications are also obtained at the Polytechnic Institute of Milan.



# THE MAINTENANCE

In general, classic iron or masonry balustrades need continuous ordinary and extraordinary maintenance with painting from 6 to 10 years.

The more you live in areas affected by atmospheric agents, such as near the sea, the more maintenance you will need to do.

With an aluminium and glass balustrade (with suitable anodizing or painting) you can rest assured for many years. These materials, in fact,



are widely used in architecture to last over time. This type of balustrade consists of an aluminium profile painted according to QUALICOAT and SEASIDE system and anodized according to QUALANOD.

The profile is fixed to the floor or a base by means of specific bolts. The glass sheets are inserted inside the aluminium profile, and they are adjusted and blocked by means of special systems that prevent them from escaping and ensure their due rigidity.

The main components of a balustrade system are:

- Painted or anodized aluminium profile (supporting structure);
- Floor fixing bolts;
- Laminated tempered/tempered or tempered/hardened glass 8.8 or 10.10 (5/16" - 5/16" or 3/8" - 3/8") + interlayer;
- Gaskets;

For each system, a booklet on ordinary maintenance is available, which consists of simply cleaning the profiles and the glass.

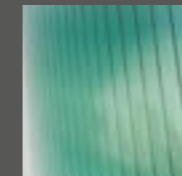
## Zero Maintenance



Maintenance with specific antirust treatments for common metal balustrades is recommended, to prevent them from being corroded by time, losing beauty and safety.

# WE ARE GREEN

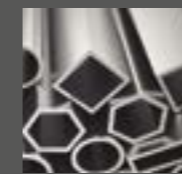
Faraone chooses sustainable and recyclable raw materials for its products and their packaging. The management of its own particular waste is accomplished according to the Italian legislation.



**GLASS.** Glass is the sustainable material par excellence.

Glass can be reused an unlimited number of times, while keeping its properties intact. In addition, at the production level, re-melting the waste material implies a lower waste of energy and raw materials.

It is also an energetically advantageous material for its applications in architecture and design. (Such as, for example, the application of glass with photovoltaic cells for the balustrades).



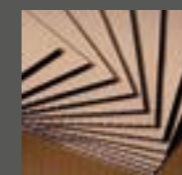
**ALUMINIUM.** Aluminium is today one of the most common materials in the construction sector, both because it is optimal for countless uses and, from an environmental point of view, for its quality, thanks also to the new carbon-free production methods.

To date, aluminium is one of the best choices in terms of sustainability, as it is a 100% recyclable material and it allows to significantly reduce energy consumption during production, while maintaining its qualitative performance intact.



**STEEL.** Steel is thought to be the most recycled material in the world, of which Italy holds the record in Europe with about 80%.

High strength and durability make it an essential material in the construction world, as well as beneficial for the environment and the economy.



**PACKAGING.** All our packaging is made with recyclable materials, starting from the cardboard used to make the product packaging up to the plastic used for the pallets.

# INTENDED USE

For new or refurbishment

## 01 RESIDENTIAL

- private house - indoors / outdoors



## 02 CONDOMINIUMS

- balconies
- terraces



## 03 FENCES

- residential
- public



## 04 WORKING ENVIRONMENTS

- offices
- conference rooms



## 05 HOSPITALITY

- hotels
- restaurants
- chalets
- poolside fencing



## 06 INFRASTRUCTURE

- airports
- train stations



## 07 HISTORICAL BUILDINGS

- Churches and places of worship
- redevelopment of historic centres



## 08 SHOPPING CENTERS

- halls
- external terraces



# INTENDED USE

For new or refurbishment

## 09 HEALTHCARE FACILITIES

- hospitals
- private clinics
- socio-health structures
- nursing homes



## 10 SCHOOL BUILDINGS

- schools
- campus and university



## 11 SPORTS FACILITIES

- stadiums
- sports halls
- swimming pools
- racetracks





**NINFA<sup>®</sup> 106**  
THE MINIMAL & PERFORMING GLASS BALUSTRADE



DESIGN: R&D FARAONE - PATENTED SYSTEM

# NINFA<sup>®</sup> 106

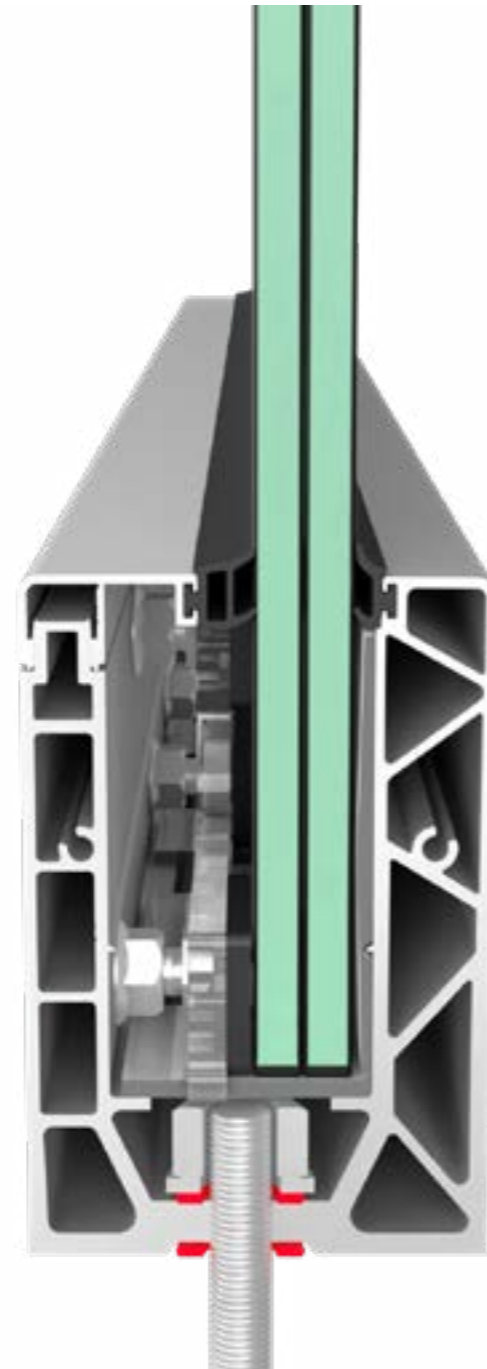
THE MINIMAL & PERFORMING GLASS BALUSTRADE

The glass balustrade **NINFA 106** was created to increase the safety level of balconies, terraces, stairs, galleries and poolside fencing. It's ideal for private and public spaces.

The profile accommodates both 8.8 and 10.10 (5/16" .5/16" and 3/8".3/8") glass thanks to the new **RS system** for adjusting and tightening the glass.

Optional: integrable LED and handrail.

Finishes: Standard and on request customizations.



## NINFA<sup>®</sup> 106 H



For uncrowded environments:  
Tested to 300 kg/m 206 lb/ft  
Dynamic impact resistance up to 350 J 258 ft\*lb

## NINFA<sup>®</sup> 106 P



For very crowded environments:  
Tested to 450 kg/m 302 lb/ft  
Dynamic impact resistance up to 600 J 440 ft\*lb

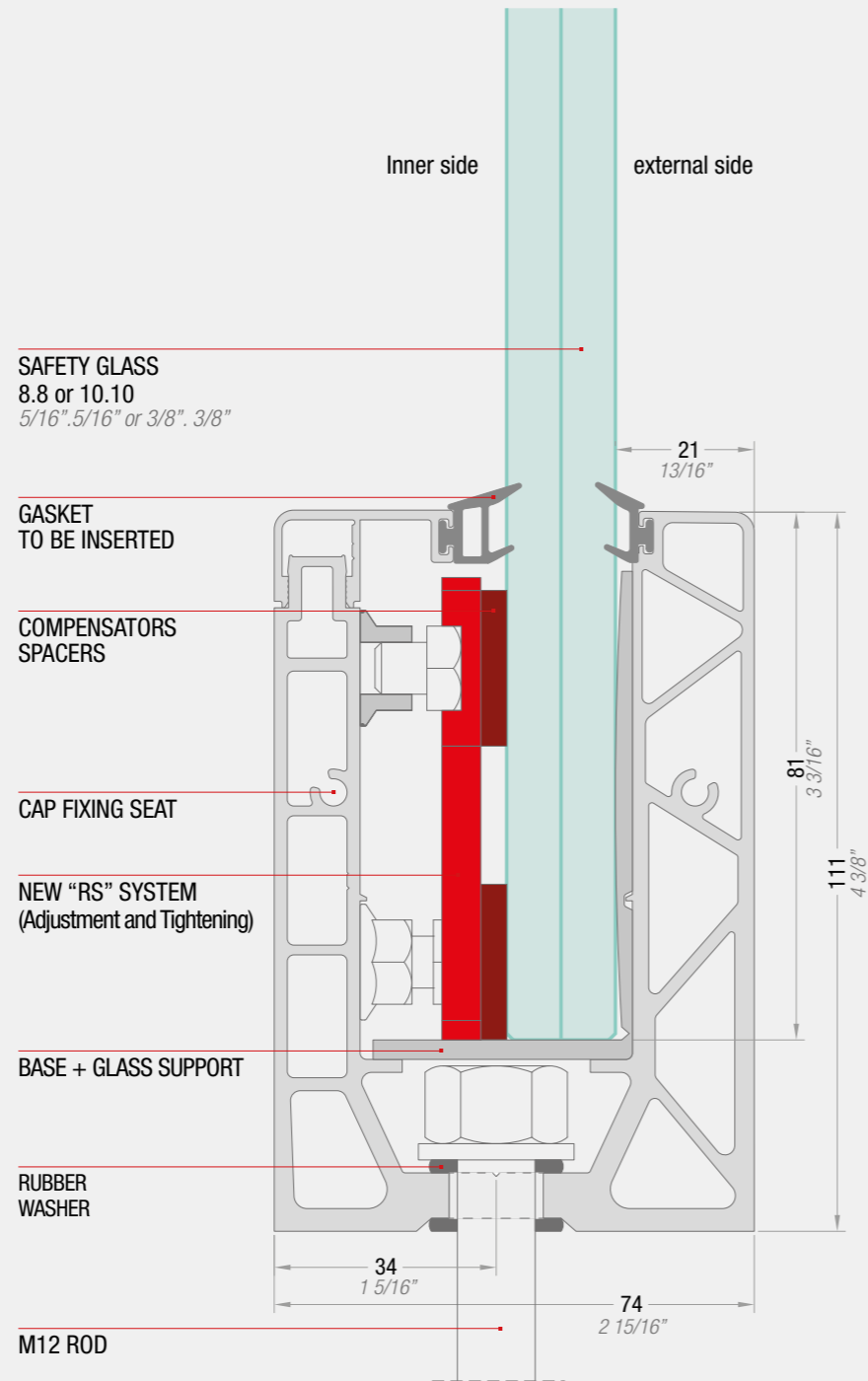
Ninfa 106 **H** (Home)  
Ninfa 106 **P** (Professional)



# TECHNICAL DETAILS

This page shows the complete list of the main components.

Some accessories, such as the adjusting block, the gaskets and the cladding can vary to accommodate different thicknesses of glass sheets, such as the "compensator thickness" shown in the drawing alongside.



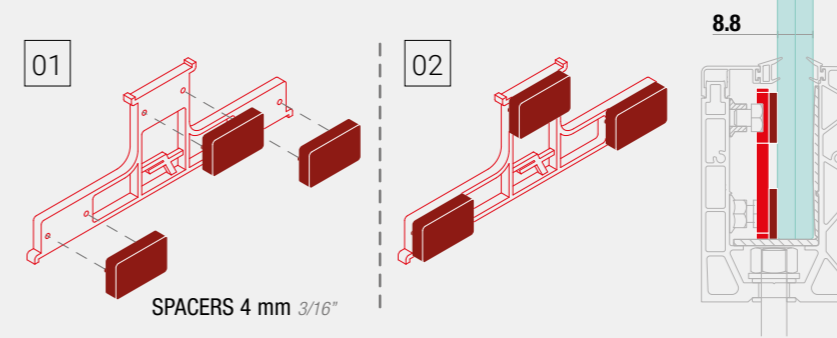
scale 1:1

## GLASS THICKNESS VARIATIONS:

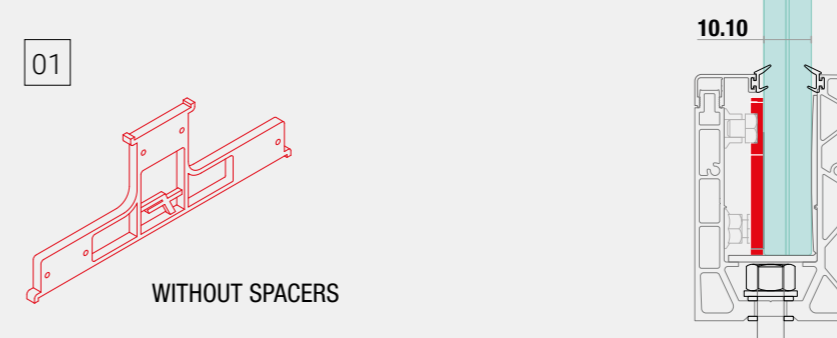
The thickness of the glass can vary from a minimum of 8.8 (5/16".5/16") to a maximum of 10.10 (3/8".3/8") using the appropriate compensator thickness

inserted in the "RS System". On the left, the two variants with glass thickness change (highlighted in red).

### ASSEMBLY OF THE RS SYSTEM - GLASS 8.8 (5/16".5/16")

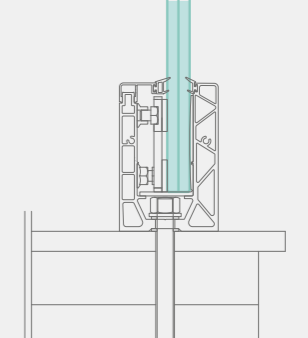


### ASSEMBLY OF THE RS SYSTEM - GLASS 10.10 (3/8".3/8")

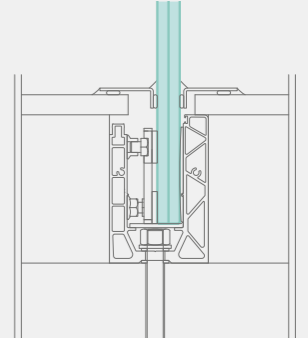


## MAIN APPLICATIONS

### ON THE FLOOR



### INTEGRATED INTO THE FLOOR 1



Integrated into the floor 1 recommended for indoor use only



DESIGN: R&D FARAONE - PATENTED SYSTEM

# NINFA<sup>®</sup> 116

THE GLASS BALUSTRADE FOR EXTERNAL FLUSH MOUNTING

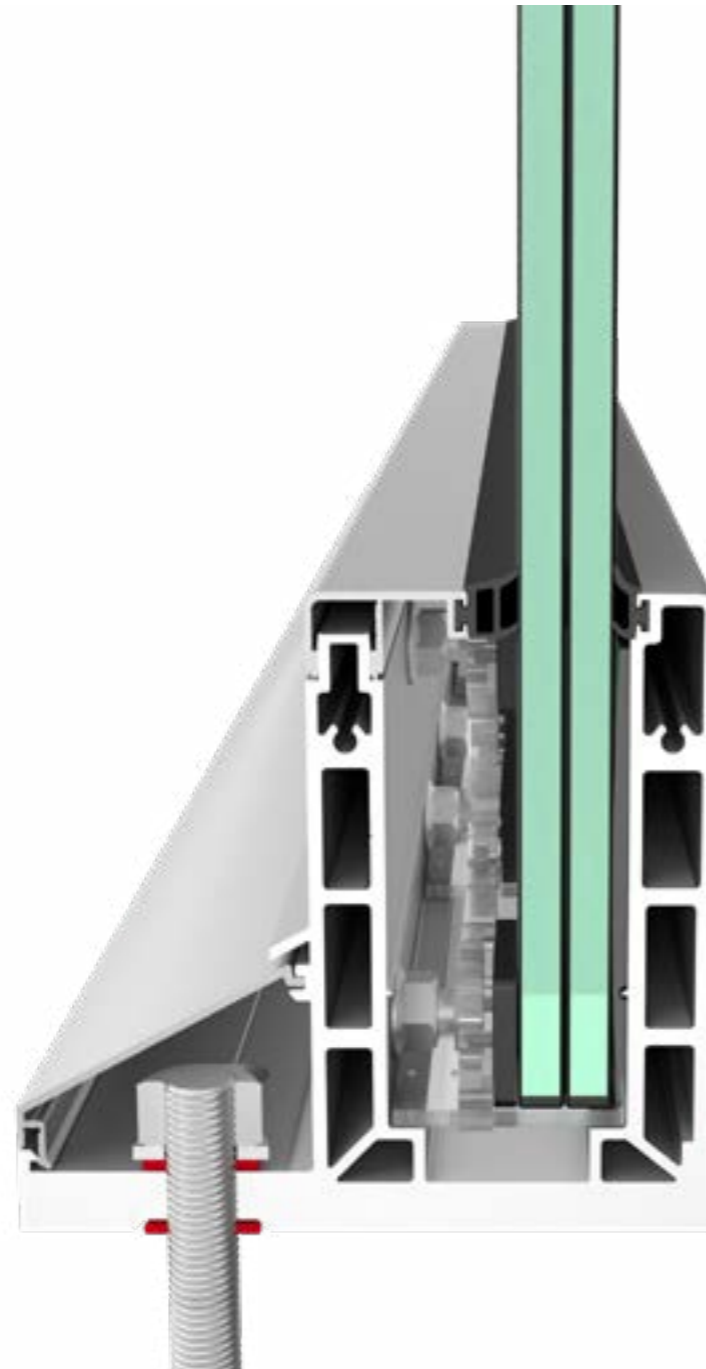
The **NINFA 116** was created to increase the safety level of balconies, terraces, stairs, galleries and poolside fencing. It's ideal for private and public spaces.

The profile accommodates both 8.8 and 10.10 (5/16".5/16" and 3/8".3/8") glass thanks to the new **RS system** for adjusting and tightening the glass.

Optional: integrable LED and handrail.

Finishes: Standard and on request customizations.

1° INIMITABLE PERFORMANCE



## NINFA<sup>®</sup> 116 H



For uncrowded environments:  
Tested at 300 kg/m 206 lb/ft  
impact up to 350 J 258 ft\*lb

## NINFA<sup>®</sup> 116 P



For very crowded environments:  
Tested to 450 kg/m 302 lb/ft  
Dynamic impact resistance up to 600 J 440 ft\*lb

Ninfa 116 **H** (Home)

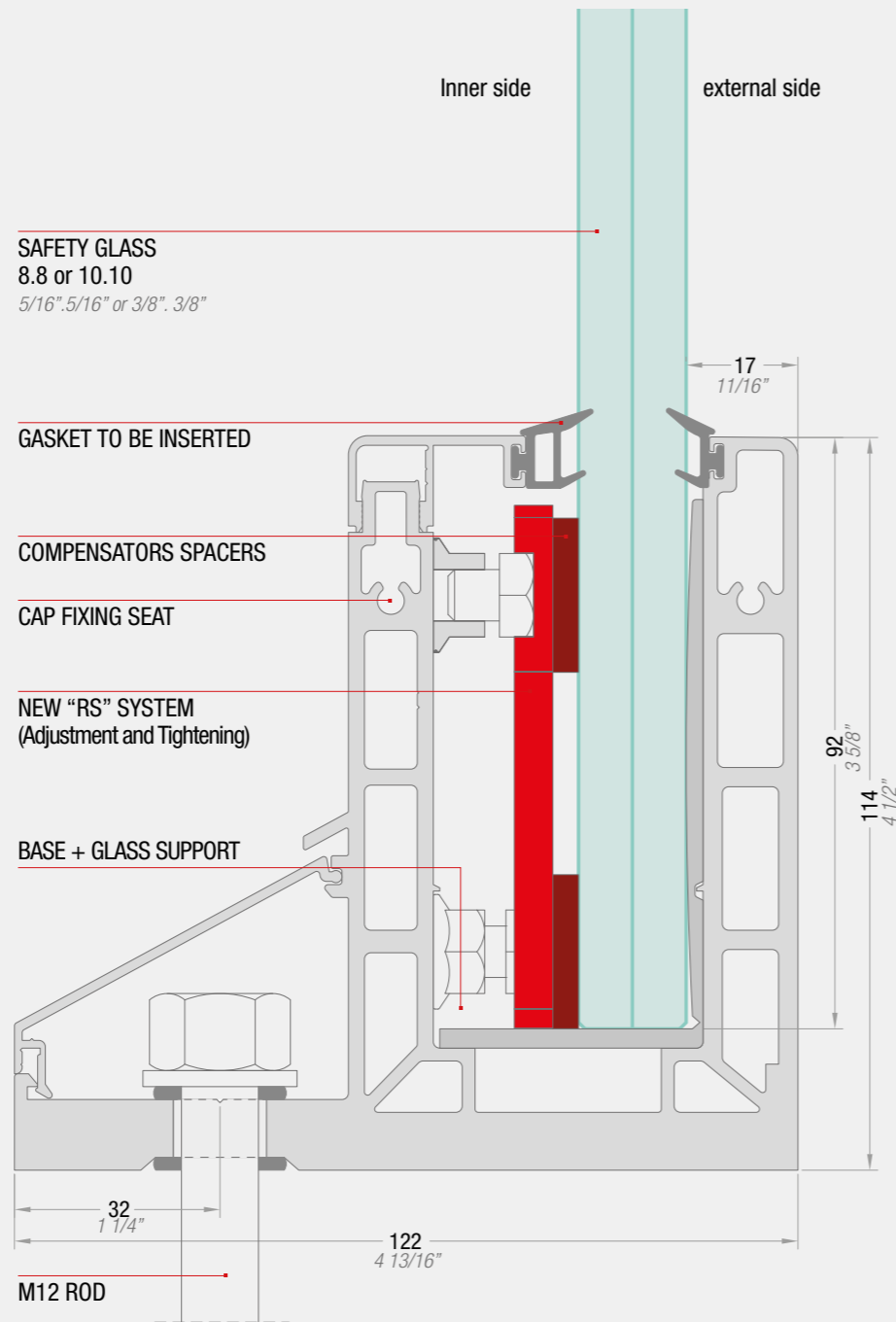
Ninfa 116 **P** (Professional)



# TECHNICAL DETAILS

This page shows the complete list of the main components.

Some accessories, such as the adjusting block, the gaskets and the cladding can vary to accommodate different thicknesses of glass sheets, such as the "compensator thickness" shown in the drawing alongside.



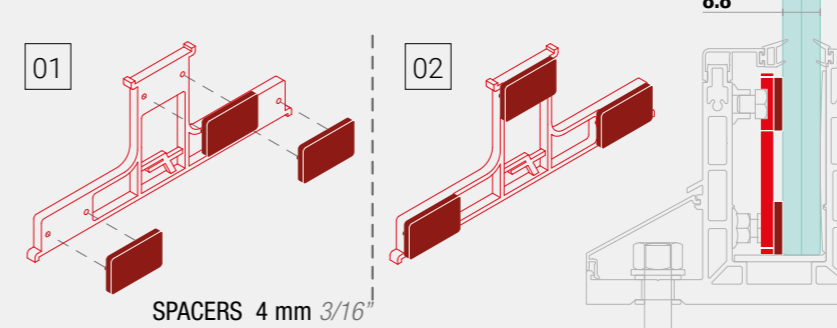
scale 1:1

## GLASS THICKNESS VARIATIONS:

The thickness of the glass can vary from a minimum of 8.8 (*5/16".5/16"*) to a maximum of 10.10 (*3/8".3/8"*) using the appropriate compensa-

tor thickness inserted in the "RS System". On the left, the two variants with glass thickness change (highlighted in red).

ASSEMBLY OF THE RS SYSTEM - GLASS 8.8 (*5/16".5/16"*)



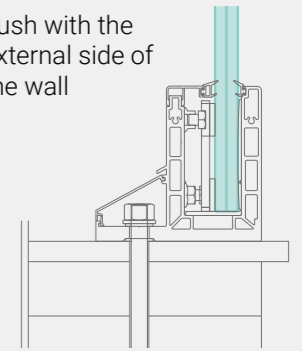
ASSEMBLY OF THE RS SYSTEM - GLASS 10.10 (*3/8".3/8"*)



## MAIN APPLICATIONS

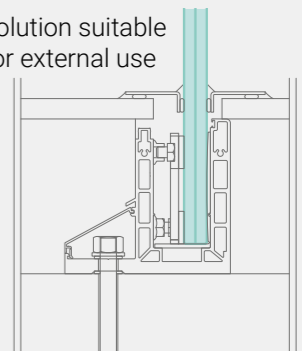
### ON THE FLOOR

flush with the external side of the wall



### INTEGRATED INTO THE FLOOR 1

solution suitable for external use





DESIGN: R&D FARAONE - PATENTED SYSTEM

# NINFA<sup>®</sup> 56

THE GLASS BALUSTRADE WITH ULTRA SLIM DESIGN

The **Ninfa 56** profile is the smallest of the series, in height and width (It's recommended for private places) can be used in the following ways:

1) on a low reinforced concrete wall, **the glass can have a variable height up to a maximum of 90 cm.** (example 20 cm (11" 13/16) wall + 90 cm (2' 7" 1/2) glass = H 110 cm (3' 7" 5/16), height now required in general).

**The use of the anti-climbing cladding for children is essential.**

2) It can be mounted on the floor with the normal cladding and with the 8.8 (5/16" 5/16") glass 100 cm (3' 3" 3/8) high only if there is no fall into the void, or with a fall height of less than 100 cm from the floor level. (example: internal partition, ground floor, or similar).

The profile accommodates both 6.6 and 8.8 (1/4" 1/4" and 5/16" 5/16") glass thanks to the new **RS system** for adjusting and tightening the glass.

Optional: integrable LED and handrail.

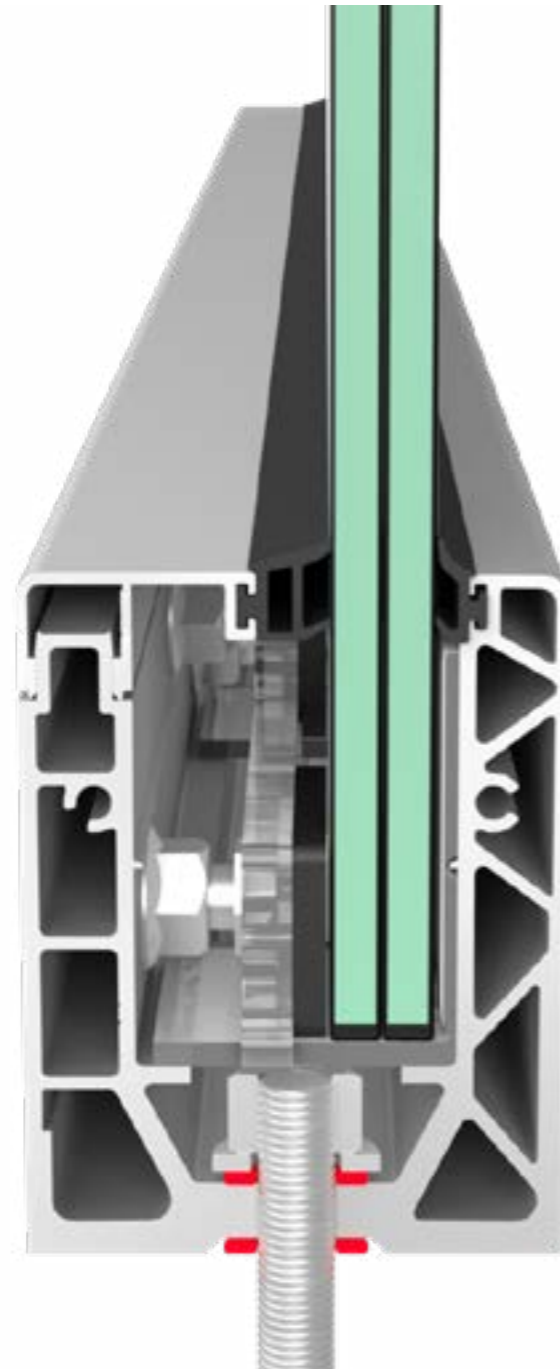
Finishes: Standard and on request customizations.

## NINFA<sup>®</sup> 56 H



For uncrowded environments:  
Tested at 300 kg/m 206 lb/ft  
impact up to 350 J 258 ft\*lb

Ninfa 56 **H** (Home)



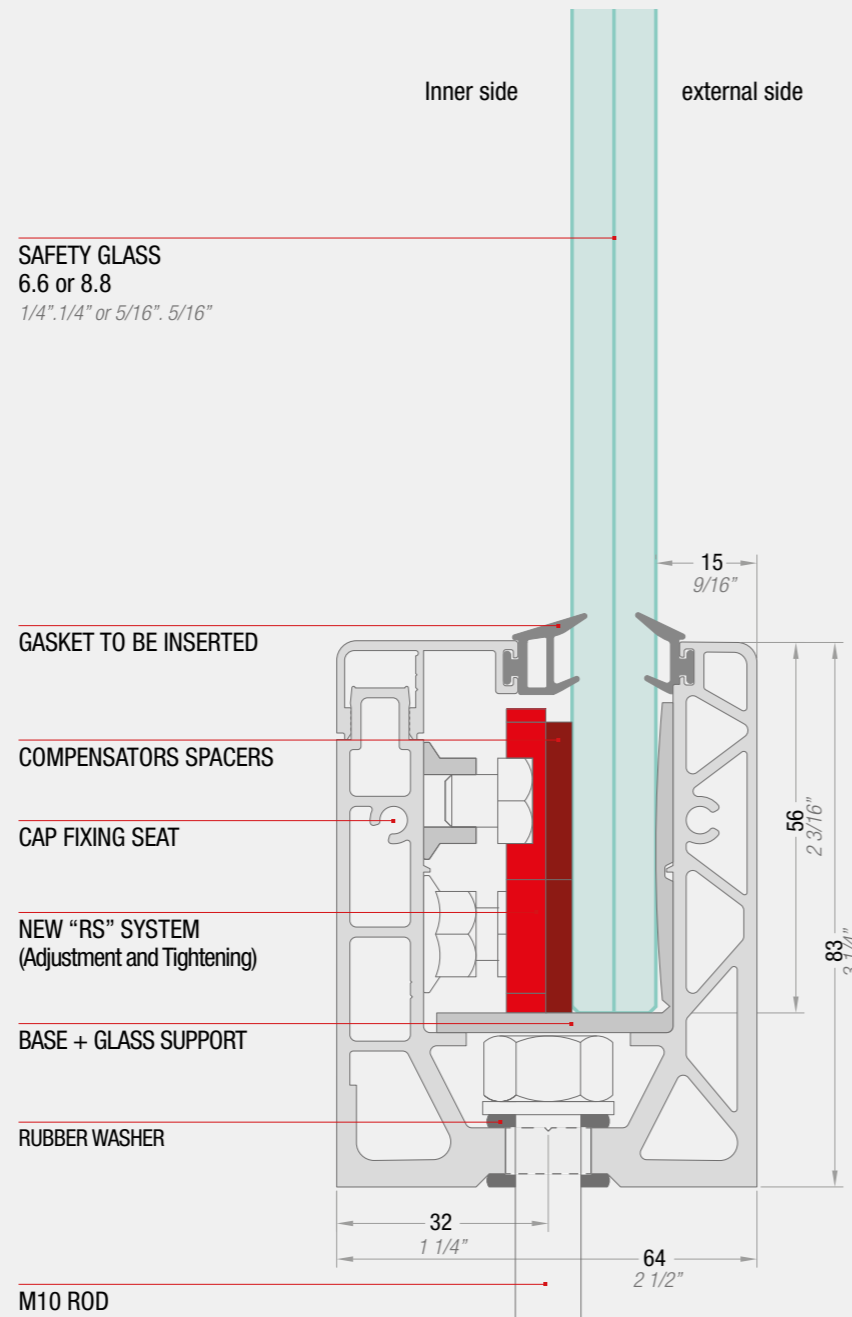
Example of NINFA 56 with 8+8 H. 100 glass positioned in an environment with a "fall into the void" of less than 80 cm.



# TECHNICAL DETAILS

This page shows the complete list of the main components.

Some accessories, such as the adjusting block, the gaskets and the cladding can vary to accommodate different thicknesses of glass sheets, such as the "compensator thickness" shown in the drawing alongside.



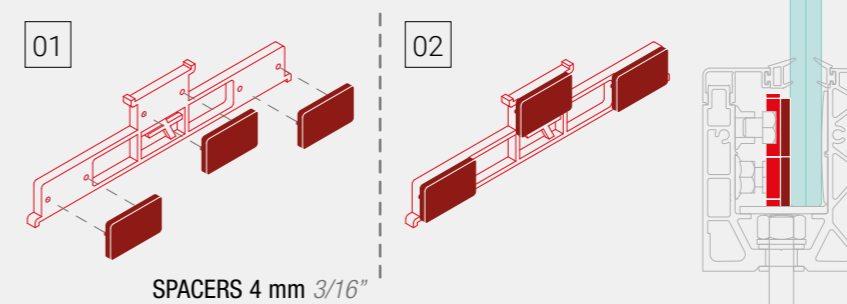
scale 1:1

## GLASS THICKNESS VARIATIONS:

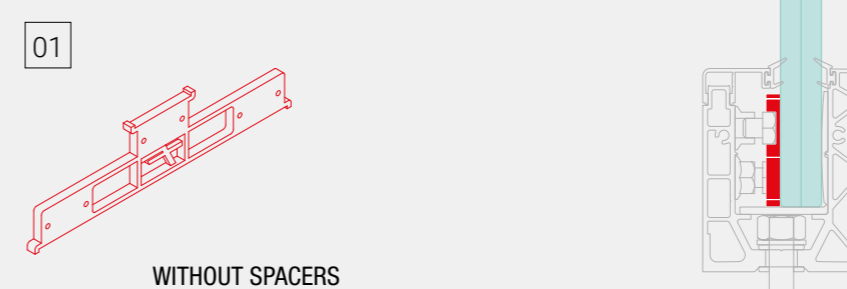
The thickness of the glass can vary from a minimum of 6.6 (1/4" 1/4") to a maximum of 8.8 (5/16" 5/16") using the appropriate compensator

thickness inserted in the "RSSystem". On the left, the two variants with glass thickness change (highlighted in red).

### ASSEMBLY OF THE RS SYSTEM - GLASS 6.6 (1/4" 1/4")



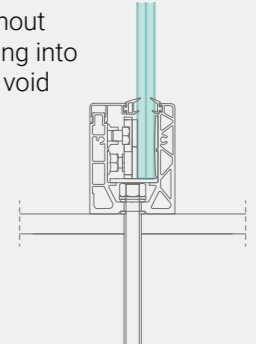
### ASSEMBLY OF THE RS SYSTEM - GLASS 8.8 (5/16" 5/16")



## MAIN APPLICATIONS

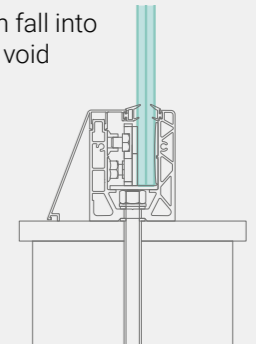
### ON THE FLOOR

without falling into the void



### ON THE WALL

with fall into the void





DESIGN: R&D FARAONE - PATENTED SYSTEM

# NINFA<sup>®</sup> 176

THE GLASS BALUSTRADE WITH INTERNAL LATERAL FIXATION

The **NINFA 176** glass balustrade is the technology for internal side mounting, ideal for private and public places thanks to its performance.

**NINFA 176**, like the whole new series, meet the calculation verifications with engineering software and laboratory test simultaneously (static load test and dynamic impact test), required by the Italian regulations.

The profile accommodates 8.8, 10.10 and 12.12 (5/16".5/16", 3/8".3/8" and 1/2".1/2") glass thanks to the new **RS system** for adjusting and tightening the glass.

Optional: integrable LED and handrail.

Finishes: Standard and on request customizations.

## NINFA<sup>®</sup> 176 (H)



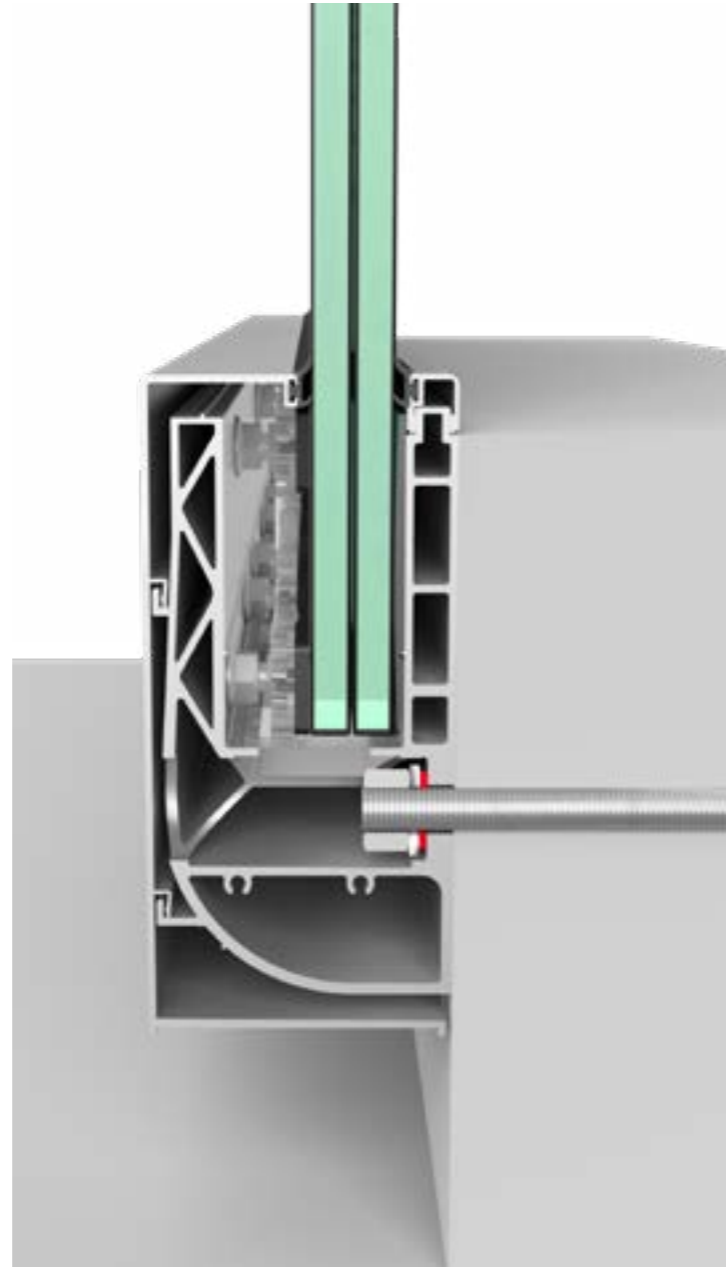
For uncrowded environments:  
Tested at 300 kg/m 206 lb/ft  
impact up to 350 J 258 ft\*lb

## NINFA<sup>®</sup> 176 (P)



For very crowded environments:  
Tested to 450 kg/m 302 lb/ft  
impact up to 600 J 440 ft\*lb

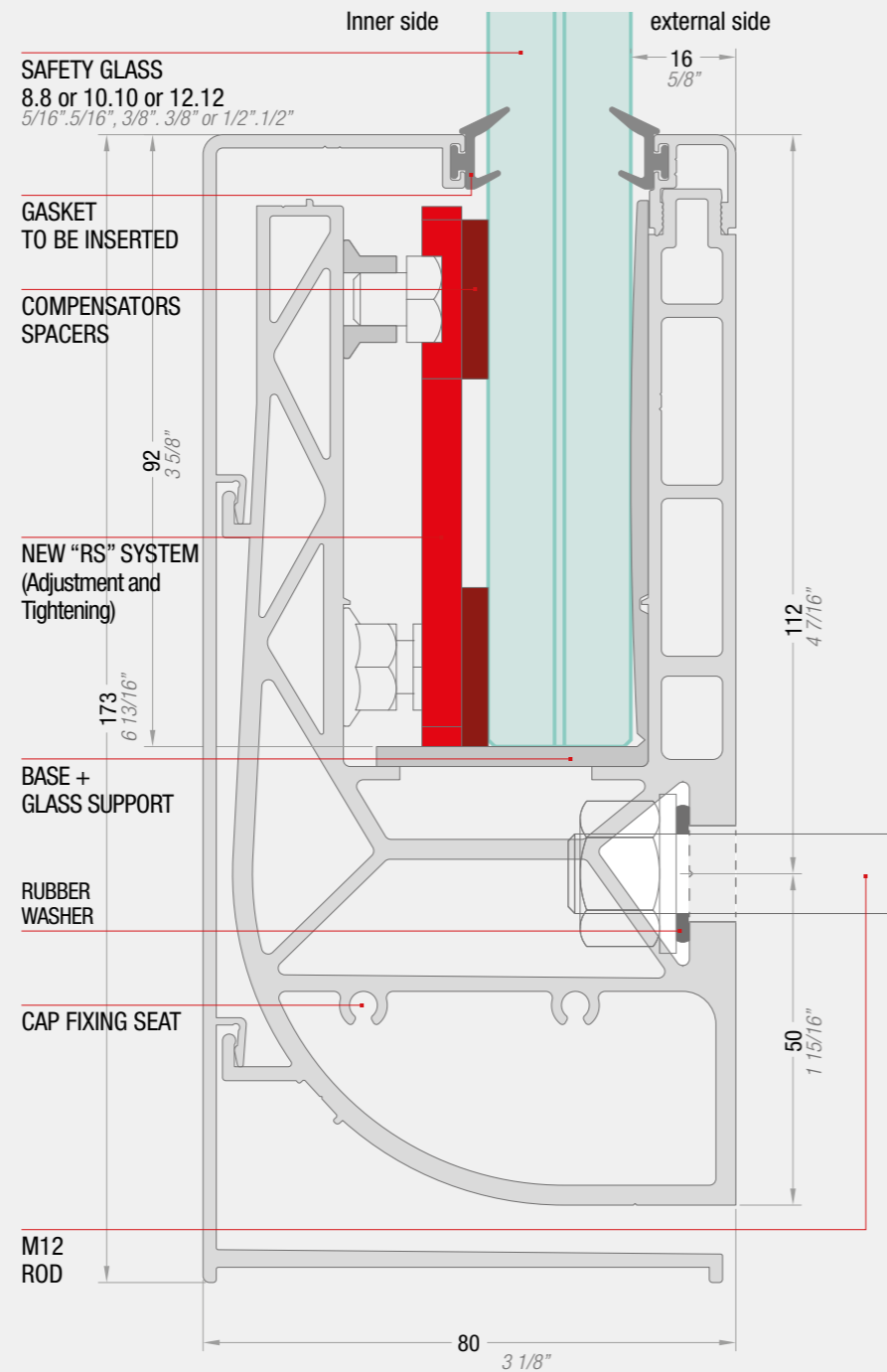
Ninfa 176 **H** (Home)  
Ninfa 176 **P** (Professional)



# TECHNICAL DETAILS

This page shows the complete list of the main components.

Some accessories, such as the adjusting block, the gaskets and the cladding can vary to accommodate different thicknesses of glass sheets, such as the "compensator thickness" shown in the drawing alongside.



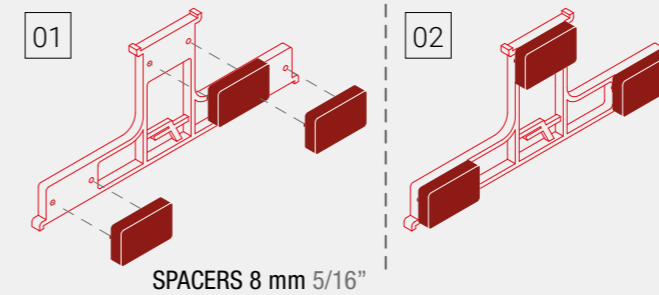
scale 1:1

## GLASS THICKNESS VARIATIONS:

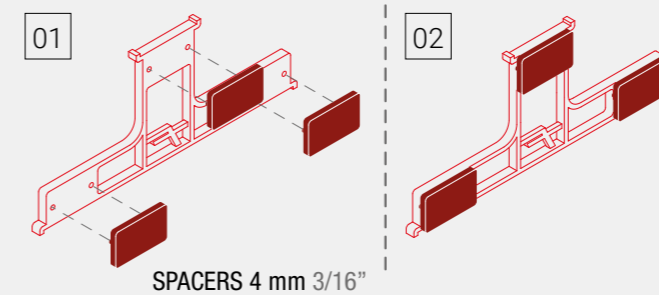
The thickness of the glass can vary from a minimum of 8.8, 10.10 (*5/16" .5/16", 3/8" .3/8"*) to a maximum of 12.12 using the appropriate com-

pensator thickness inserted in the "RS System". On the left, the two variants with glass thickness change (highlighted in red).

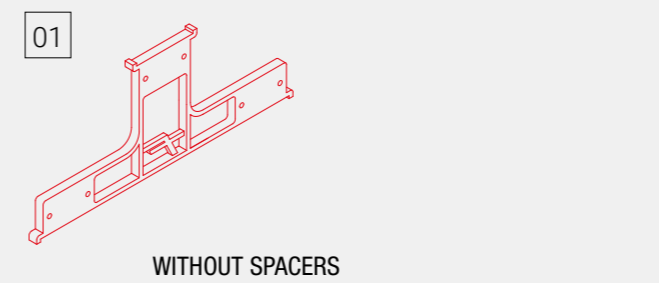
ASSEMBLY OF THE RS SYSTEM - GLASS 8.8 (*5/16" .5/16"*)



ASSEMBLY OF THE RS SYSTEM - GLASS 10.10 (*3/8" .3/8"*)

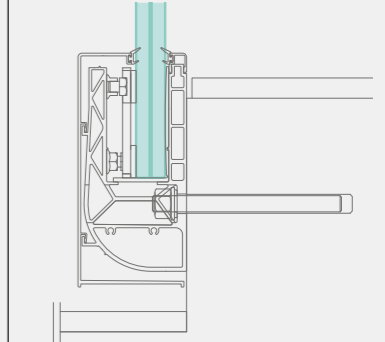


ASSEMBLY OF THE RS SYSTEM - GLASS 12.12 (*1/2" .1/2"*)

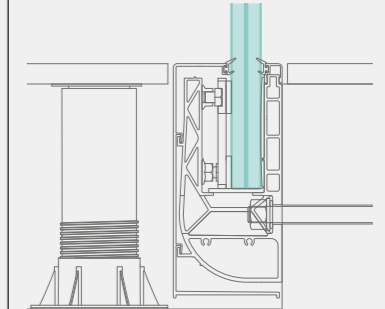


## MAIN APPLICATIONS

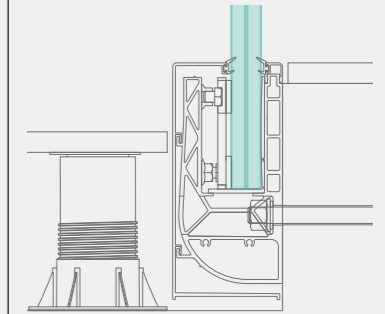
INTERNAL SIDE



INTEGRATED INTO THE FLOOR 1



INTEGRATED INTO THE FLOOR 2





DESIGN: R&D FARAONE - PATENTED SYSTEM

# NINFA<sup>®</sup> 186

THE GLASS BALUSTRADE WITH EXTERNAL LATERAL FIXATION

The **NINFA 186** glass balustrade is the technology for external side mounting, ideal for private and public places thanks to its performance.

**NINFA 186**, like the whole new series, meet the calculation verifications with engineering software and laboratory test simultaneously (static load test and dynamic impact test), required by the Italian regulations.

The profile accommodates 8.8, 10.10 and 12.12 (5/16" . 5/16" , 3/8" + 3/8" and 1/2" + 1/2") glass thanks to the new **RS system** for adjusting and tightening the glass.

Optional: integrable LED and handrail.

Finishes: Standard and on request customizations.

## NINFA<sup>®</sup> 186 H



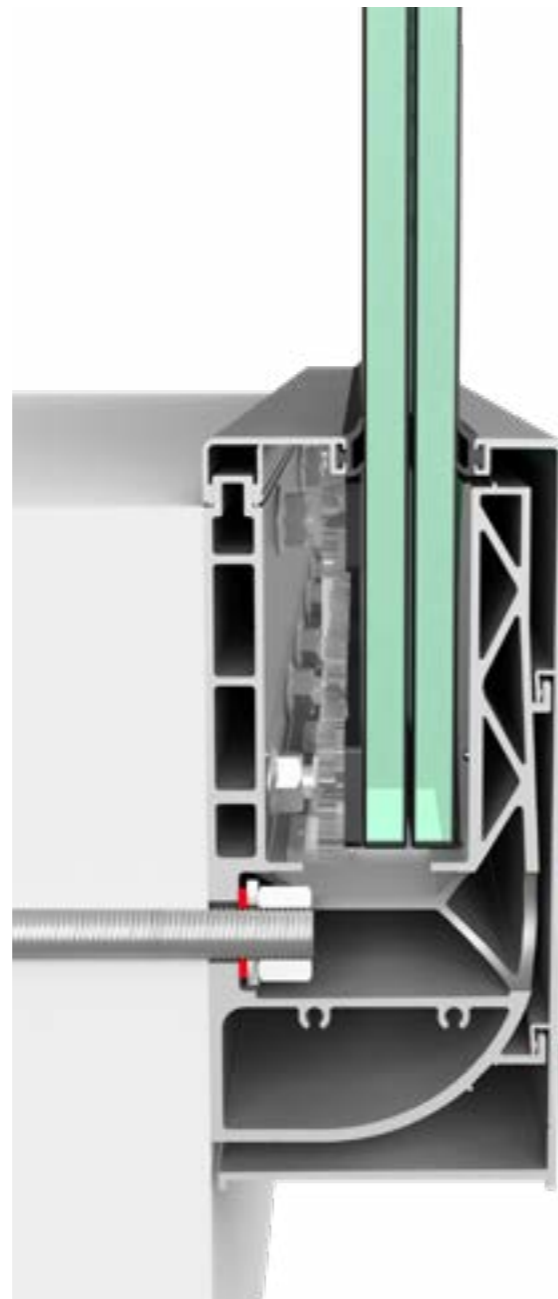
For uncrowded environments:  
Tested at 300 kg/m 206 lb/ft  
Dynamic impact resistance up to 350 J 258 ft\*lb

## NINFA<sup>®</sup> 186 P



For very crowded environments:  
Tested to 450 kg/m 302 lb/ft  
Dynamic impact resistance up to 600 J 440 ft\*lb

Ninfa 186 **H** (Home)  
Ninfa 186 **P** (Professional)

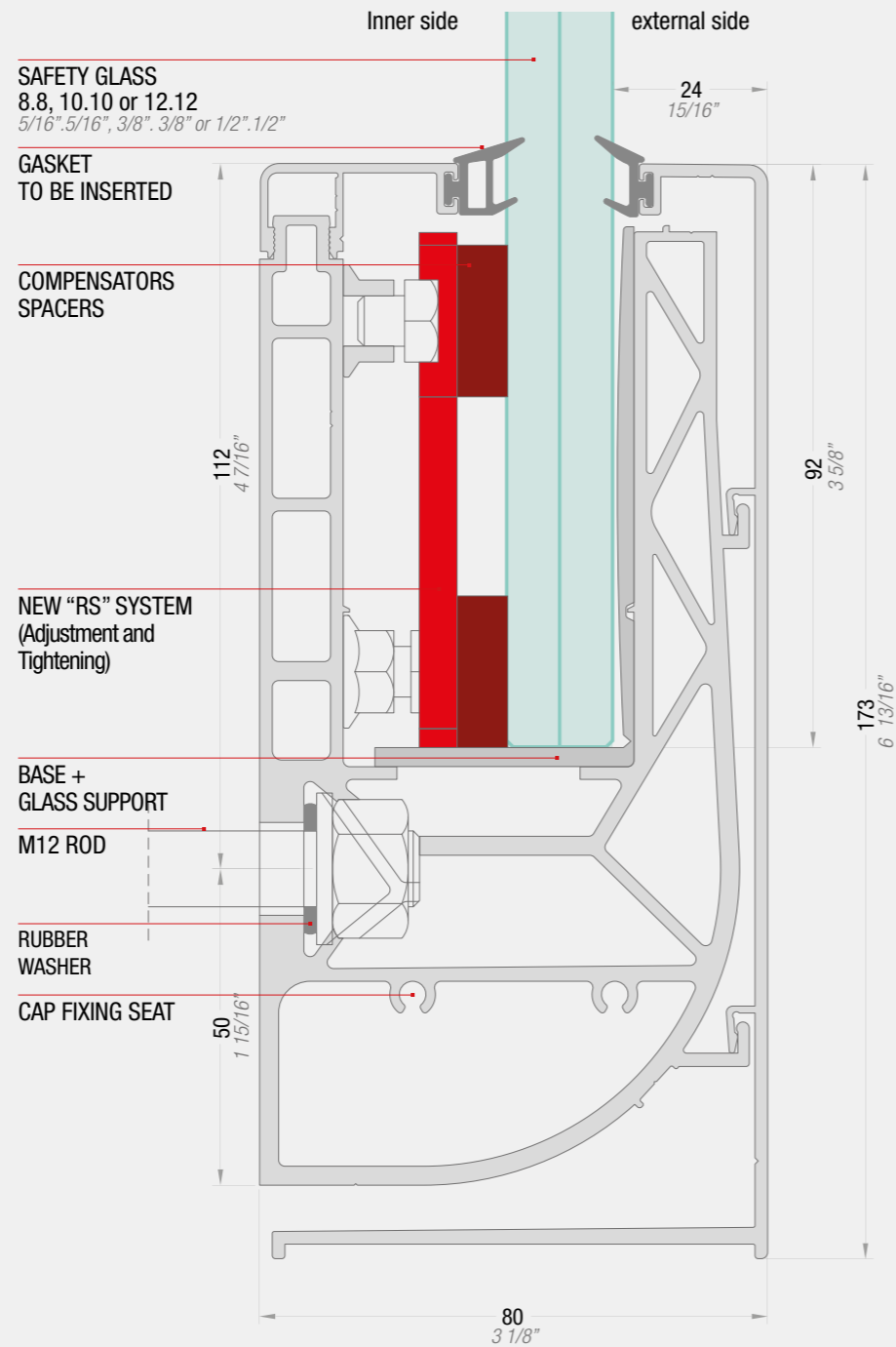


The profile can also be mounted flush with the edge of the steps.

# TECHNICAL DETAILS

This page shows the complete list of the main components.

Some accessories, such as the adjusting block, the gaskets and the cladding can vary to accommodate different thicknesses of glass sheets, such as the "compensator thickness" shown in the drawing alongside.



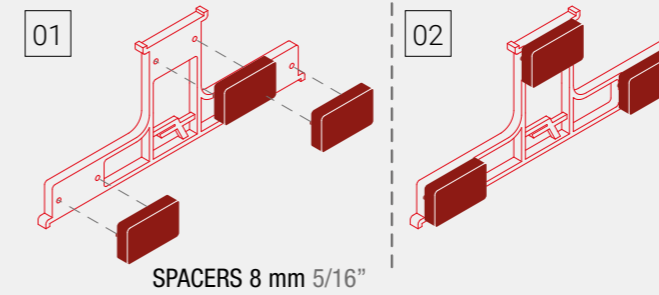
scale 1:1

## GLASS THICKNESS VARIATIONS:

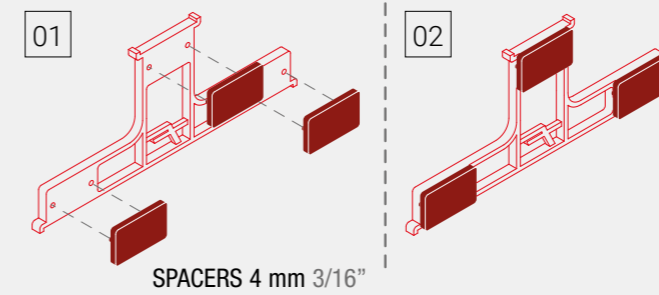
The thickness of the glass can vary from a minimum of 8.8, 10.10 (*5/16".5/16", 3/8".3/8"*) to a maximum of 12.12 (*1/2".1/2"*) using the appropriate com-

pensator thickness inserted in the "RS System". On the left, the two variants with glass thickness change (highlighted in red).

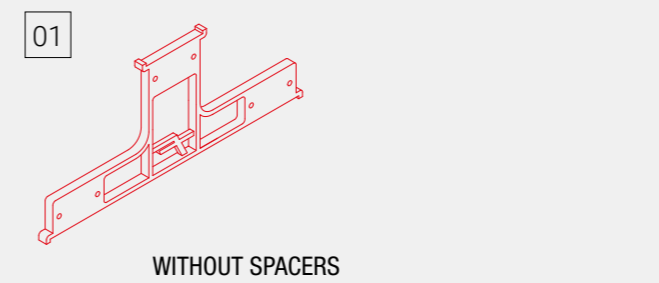
ASSEMBLY OF THE RS SYSTEM - GLASS 8.8 (*5/16".5/16"*)



ASSEMBLY OF THE RS SYSTEM - GLASS 10.10 (*3/8".3/8"*)

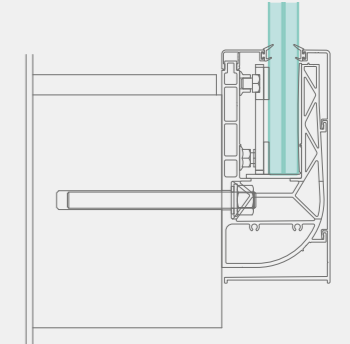


ASSEMBLY OF THE RS SYSTEM - GLASS 12.12 (*1/2".1/2"*)



## MAIN APPLICATIONS

EXTERNAL SIDE







DESIGN: R&D FARAONE - PATENTED SYSTEM



The **NINFA 6** glass balustrade represents the new technology of the Faraone company with very high performance levels. It's ideal for public and crowded places, for sports stadium stands, common spaces in infrastructures, cinemas, theatres, hotels.

**NINFA 6**, like the whole new series, meet the calculation verifications with engineering software and laboratory test simultaneously (static load test and dynamic impact test), required by the italian regulations.

The profile accommodates both 10.10 and 12.12 (3/8" 3/8" and 1/2" 1/2") glass thanks to the new **RS system** for adjusting and tightening the glass.

Optional: integrable LED and handrail.

Finishes: Standard and on request customizations.

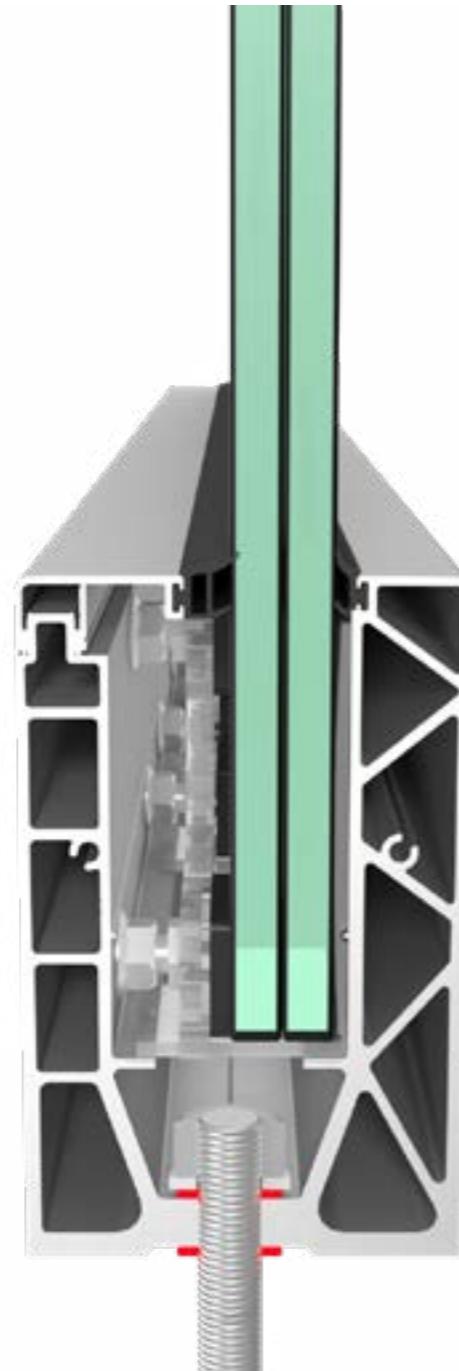


For uncrowded environments:  
Tested at 300 kg/m 206 lb/ft  
Dynamic impact resistance up to 350 J 258 ft\*lb



For very crowded environments:  
Tested to 450 kg/m 302 lb/ft  
Dynamic impact resistance up to 600 J 440 ft\*lb

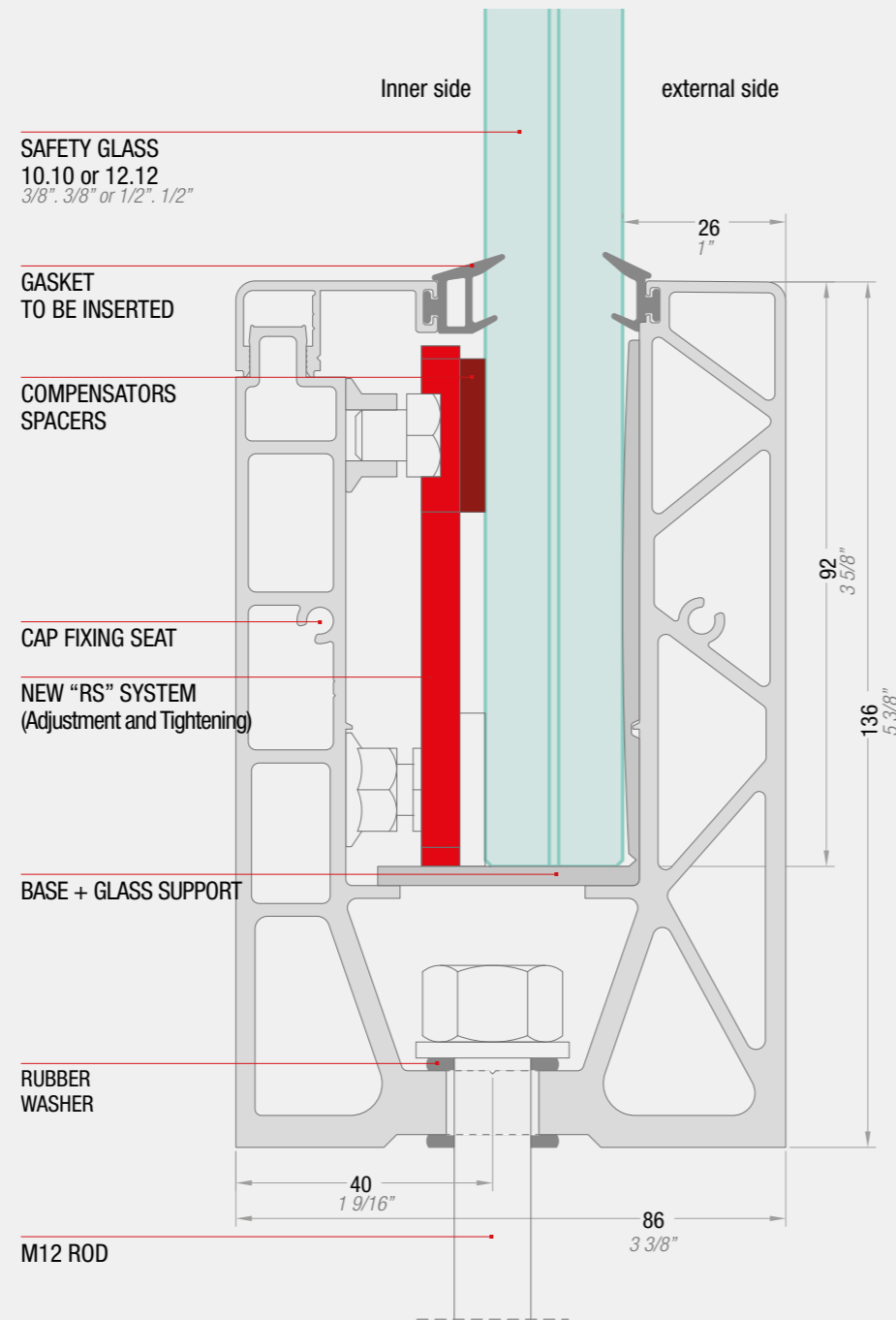
Ninfa 6 **H** (Home)  
Ninfa 6 **P** (Professional)



# TECHNICAL DETAILS

This page shows the complete list of the main components.

Some accessories, such as the adjusting block, the gaskets and the cladding can vary to accommodate different thicknesses of glass sheets, such as the "compensator thickness" shown in the drawing alongside.



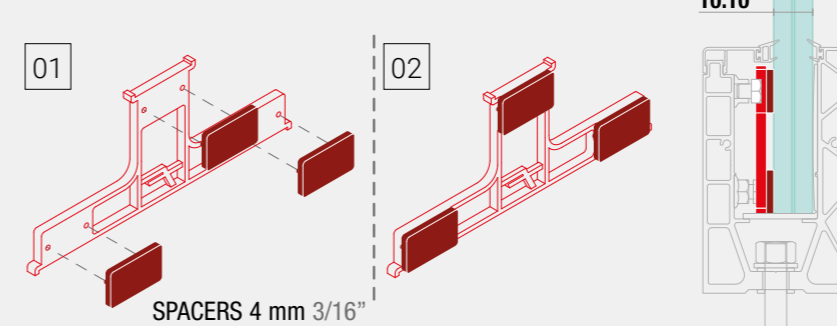
1:1 scale

## GLASS THICKNESS VARIATIONS:

The thickness of the glass can vary from a minimum of 10.10 (3/8".3/8") to a maximum of 12.12 (1/2".1/2") using the appropriate com-

pensator thickness inserted in the "RS System". On the left, the two variants with glass thickness change (highlighted in red).

### ASSEMBLY OF THE RS SYSTEM - GLASS 10.10 (3/8".3/8")

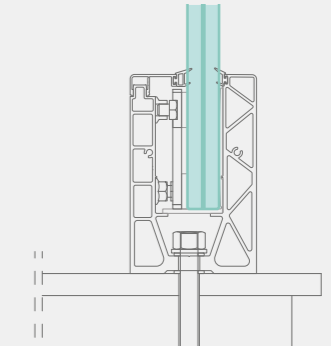


### ASSEMBLY OF THE RS SYSTEM - GLASS 12.12 (1/2".1/2")

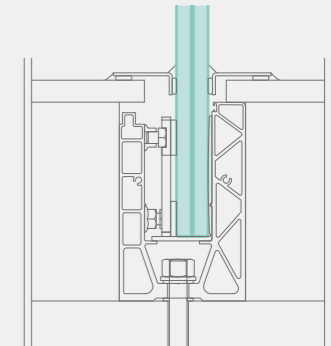


## MAIN APPLICATIONS

### ON THE FLOOR



### INTEGRATED INTO THE FLOOR 1



Integrated into the floor 1 recommended for indoor use only

# ACHIEVEMENTS WITH NINFA BALUSTRADES DURING THE YEARS.



Harbor Station, Salerno



Harbor Station,  
Salerno

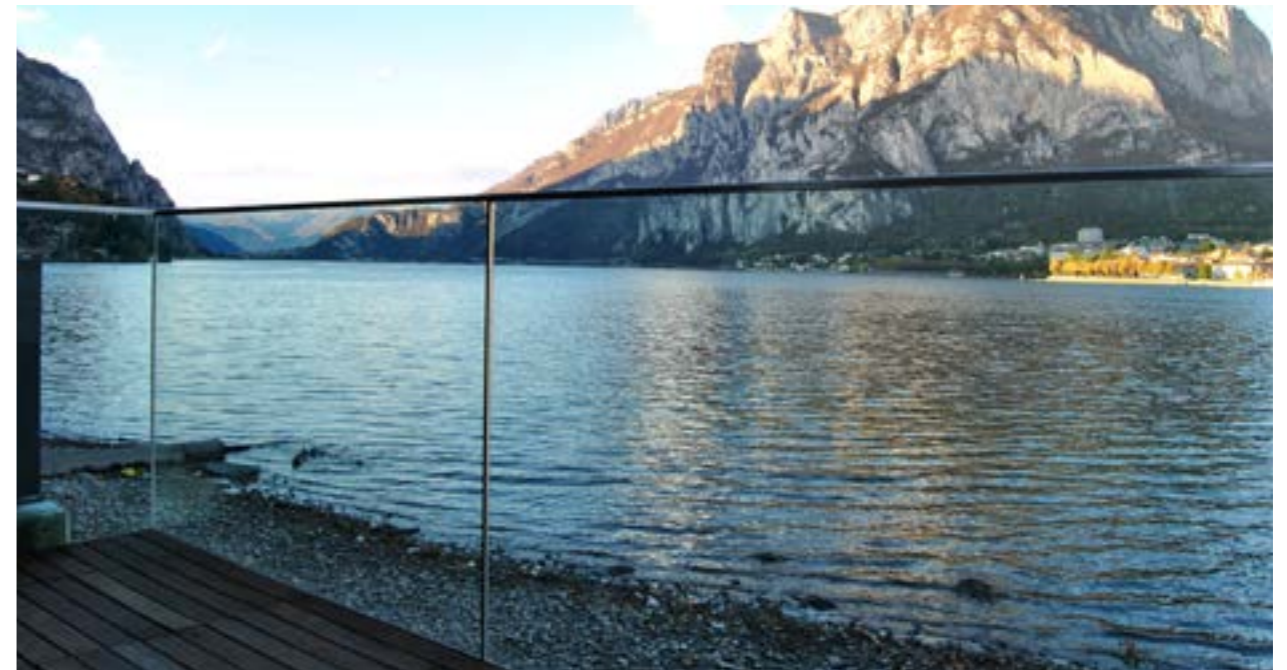


Curved glazing in the villa,  
Marcianise (CE)



Enzo Ferrari Museum,  
Maranello (MO)

Redevelopment of the Malgrate lakeside promenade,  
Malgrate (LC)





Mall of Berlin,  
Berlin

Leonardo Da Vinci Airport  
Roma Fiumicino



Bridge of Peace,  
Tbilisi, Georgia

"La Nuvola" Convention Centre,  
Roma





De Gasperi Residence,  
Milan



Kennedy Residence,  
Milan

F5 Multifunctional building,  
Cuneo



F5 Multifunctional building,  
Cuneo

# ASSEMBLY INSTRUCTIONS NINFA THE 6TH SERIES

Download the assembly instructions in PDF format



# CUSTOMER CARE

Our experience is at your service.  
We guide you in choosing the best  
solution for your needs.



## EXPERT GUIDE

To follow a project in all its phases is sometimes very difficult. For this reason, we provide you with a total assistance from technical advice to post-purchase.

How you can contact us:  
email: [faraone@faraone.it](mailto:faraone@faraone.it)  
web: [faraone.it](http://faraone.it)



Contact us



## INSTALLATION

We carefully select the experts who carry out the installation of our products to ensure our standard of quality. During this phase, tests are carried out on site to ensure that the installation has been performed in a competent manner and that everything is safe.



PLAY

Watch the assembly video

# NINFA TECHNICAL SPECIFICATIONS

Ninfa system glass balustrades (or similar), complying with the regulations currently in force, with relative test report containing:

\_ Static load test in compliance with resistance to horizontal static linear load 2 kN/m (137 lb/ft) or resistance to horizontal static linear load 3 kN/m (206 lb/ft).

\_ Dynamic load test with variable pendulum height depending on the intended use and possible breakage of glass.

\_ Technical drawings with the heights and dimensions of each single component of the balustrade.

In addition, it is necessary to define the type of glass sheets and interlayer of the layered package in order to meet the "post-breakage" requirement.

## 1 CHARACTERIZATION OF NINFA SERIES 6 BALUSTRADES

Ninfa system balustrade or railing (or similar) made with 6060 T66 or 6063 T66 aluminium alloy profile of the model chosen by the Works Management, based on the intended use and the class to which it belongs; it is suitable for being mounted on the floor, integrated into the floor or fascia mounted, to be chosen from the following Faraone models (or similar):

1/A) Model NINFA 6 profile size of 86x136 mm (3 3/8" x 5 3/8") (base x height) with laminated glass 10+10 (3/8"+3/8"), 12+12 (1/2"+1/2");

1/B) Model NINFA 106 profile size of 74x111 mm (2 15/16" x 4 3/8") (base x height) with laminated glass 8+8 (5/16"+5/16"), 10+10 (3/8"+3/8");

1/C) Model NINFA 56 profile size 64x83 mm (2 1/2" x 3 1/4") (base x height) with laminated glass with 6+6 (1/4"+1/4"), 8+8 (5/16"+5/16");

1/D) Model NINFA 186 profile size of 80x173 mm (3 1/8" x 6 13/16") (base x height) with laminated glass 8+8 (5/16"+5/16"), 10+10 (3/8"+3/8"), 12+12 (1/2"+1/2");

1/F) Model NINFA 176 profile size of 80x173 mm (3 1/8" x 6 13/16") (base x height) with laminated glass 8+8 (5/16"+5/16"), 10+10 (3/8"+3/8"), 12+12 (1/2"+1/2");

1/E) Model NINFA 116 profile size of 122x114 mm (4 13/16" x 4 1/2") (base x height) with laminated glass 8+8 (5/16"+5/16"), 10+10 (3/8"+3/8").

## 2. FUNCTIONALITY AND AESTHETICS OF THE NINFA BALUSTRADES

The aluminium profile of the balustrade will be equipped with special accessories that allow adjustment for the alignment and "plumb" of the glass sheets.

The type and quantity of the profile fixings to the floor/wall will vary according to the resistance class requested by the Works Management and the nature of the support. If the fixing is carried out on a beam or base in reinforced concrete, it will be necessary to make sure that the concrete is of minimum class C25/30.

The aluminium profiles positioned "on sight" will be anodized with silver colour class 15 micron (0,60 mil) (or other colour on request) or painted with epoxy powders in RAL colour or other colour on request.

## 3. PERFORMANCE IN POST-BREAKAGE CONDITIONS

For the profiles of the NINFA system, it will be sufficient to use the tempered-hardened laminate glass to obtain residual post-breakage resistance. It is advisable to pay extreme attention to the installation of the hardened sheet, which must be placed in the compressed part of the laminate, i.e. externally to the horizontal static linear load and impacts.

## 4. ADDITIONAL SAFETY GUARANTEES IN POST-BREAKAGE OF GLASS AND HANDRAIL

To ensure "system redundancy" and achieve the satisfaction of the post-breakage criterion, the Construction Manager may also request the upper handrail to be anchored and glued to the individual glass sheets in order to ensure, in case of breakage of the sheets, the transfer of linear loads to the adjacent intact sheets and the reduction of the risk of collapse of the laminate glass with both sheets broken. Note that this solution involves a price increase due only to the cost of the handrail.

## TO KNOW MORE ABOUT IT

Consult the document "Faraone Informs 27" on the [www.faraone.it](http://www.faraone.it) website.

This documentation is the result of a long and careful experimental campaign combined with the Faraone experience, and it makes available to all that are interested the many tests that have been carried out and the behaviour/performance of the various glass solutions (all valid with Faraone systems only), as well as various examples, observations and analyses on the world of glass balustrades.

Eng. Gabriele Romagnoli

# GENERALI CONDITIONS OF SALE

Transportation costs shall be evaluated with every offer, according to volume weight and destination.

## COMPLAINTS:

Any complaint must be sent to Faraone within a final deadline of 8 days from receipt of goods; we do not accept returned goods unless previously authorized by Faraone in carriage collect.

Any returned products that should hypothetically arrive to the Faraone company without prior authorization will be refused without exception and returned to the sender in carriage collect.

## PAYMENT METHOD:

For foreign countries, the payment of the goods is made by bank transfer in advance. Other payment methods will be agreed under the credit insurance.

- **VAT:** all prices listed in the pricelists are exclusive of VAT.

Note: As our products are subject to continuous innovation and improvement, design and construction features are subject to change without prior notice. The images in the production catalogues are purely indicative, therefore our company reserves the right to make improvements to the products without any prior notice. All models and designs are exclusive property of Faraone. No reproduction permitted. All prices are exclusive of VAT, transport and installation.

## GRAPHIC DESIGN

Marco Ceci / mcomunicare

## COORDINATION

Marketing Office of Faraone

## TECHNICAL DRAWINGS

Technical department Faraone

## PHOTOREALISTIC IMAGES

Stefano Spinosi

All rights reserved by Faraone Srl

Faraone s.r.l.  
Via Po 12 / 64018 Tortoreto Lido (TE) Italia.  
T. +39 0861 784200  
F. +39 0861 781035

[www.faraone.it](http://www.faraone.it)



# Take care of the people you love.

With the latest generation of Ninfa balustrades.

[faraone.it](http://faraone.it)



**DELUXE SYSTEMS Pte Ltd**  
National Design Centre  
111 Middle Rd #03-01  
Singapore 188969

W.A. Phone: **+6592678923**  
Mail: **info@ds.asia**  
Website: **www.ds.asia**

